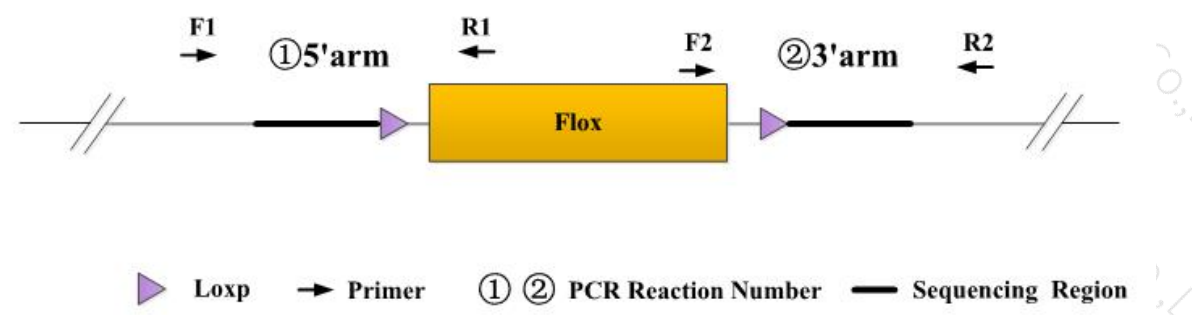


Genotyping Report

Strain ID	T010984	Strain Type	CKO(Cas9)	Genetic Background	C57BL/6JGpt
Designer	Ya'nan Xu	Gene Name	<i>Aqp4</i>		

1. Strategy of Genotyping



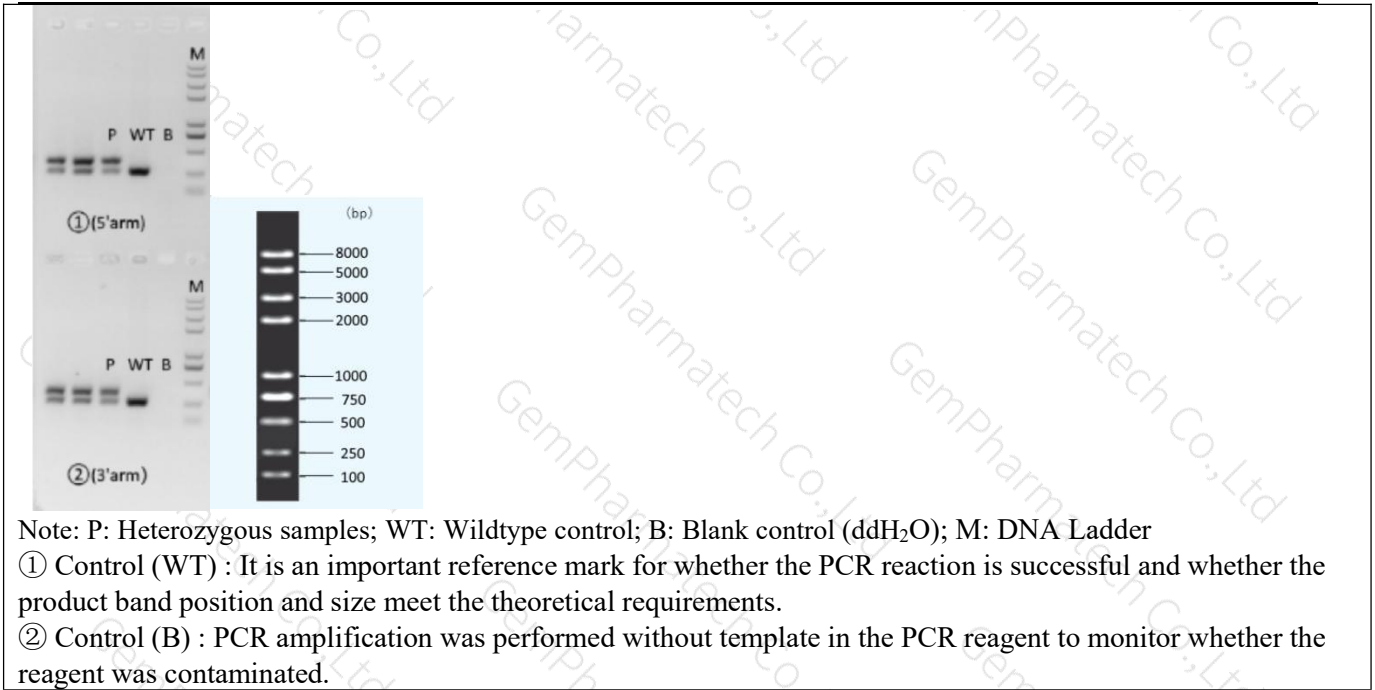
Wild type: ①PCR reaction obtains a single WT band; ②PCR reaction obtains a single WT band.
 Heterozygote: ①PCR reaction obtains a WT band and a Targeted band; ②PCR reaction obtains a WT band and a Targeted band.
 Homozygote: ①PCR reaction obtains a single Targeted band; ②PCR reaction obtains a single Targeted band.
 Note: The sizes of WT and Targeted band are shown below.

2. Primer Information

PCR No.	Primer No.	Sequence	Band Size
①(5'arm)	T010984(P2)-F1	AAAGAGCTTTGAGTCCTCTGGAACC	WT: 263bp Targeted: 368bp
	T010984(P2)-R1	AAAGGAAACTGTCCCGGCTAAGTTC	
②(3'arm)	T010984(P2)-F2	TCTAGCTCATGCTAGCCTTGAAGCTG	WT: 274bp Targeted: 380bp
	T010984(P2)-R2	TGTTGGTGTTTCTGTGTAGCCCTG	

3. Gel Image & Conclusion

--



4. PCR Condition

(Generally recommend to use Vazyme P222; If the sequences contain special structures such as GC% ≥ 60% or GC% ≤ 40%, recommend to use Vazyme P515.)

PCR Reaction Component			
Seg.	Reaction Component		Volume (μl)
1	2 × Rapid Taq Master Mix(Vazyme P222) or 2 × Phanta Max Master Mix (Vazyme P515)		12.5
2	ddH ₂ O		9.5
3	Primer A(10pmol/μl)		1
4	Primer B(10pmol/μl)		1
5	Template(20~80ng/μl)		1
PCR program I priority selection			
Seg.	Temp.	Time	Cycle
1	95°C	5min	
2	98°C	30s	20×
3	65°C*(-0.5°C/cycle)	30s	
4	72°C	45s*	
5	98°C	30s	15×
6	55°C*	30s	
7	72°C	45s*	
8	72°C	5min	

9	10°C	hold	
PCR program II the second choice			
Seg.	Temp.	Time	Cycle
1	95°C	5min	
2	98°C	30s	35×
3	58°C*	30s	
4	72°C	45s*	
5	72°C	5min	
6	10°C	hold	

Note*: Annealing temperature and extension time can be determined according to the actual amplification situation and amplification enzyme efficiency.