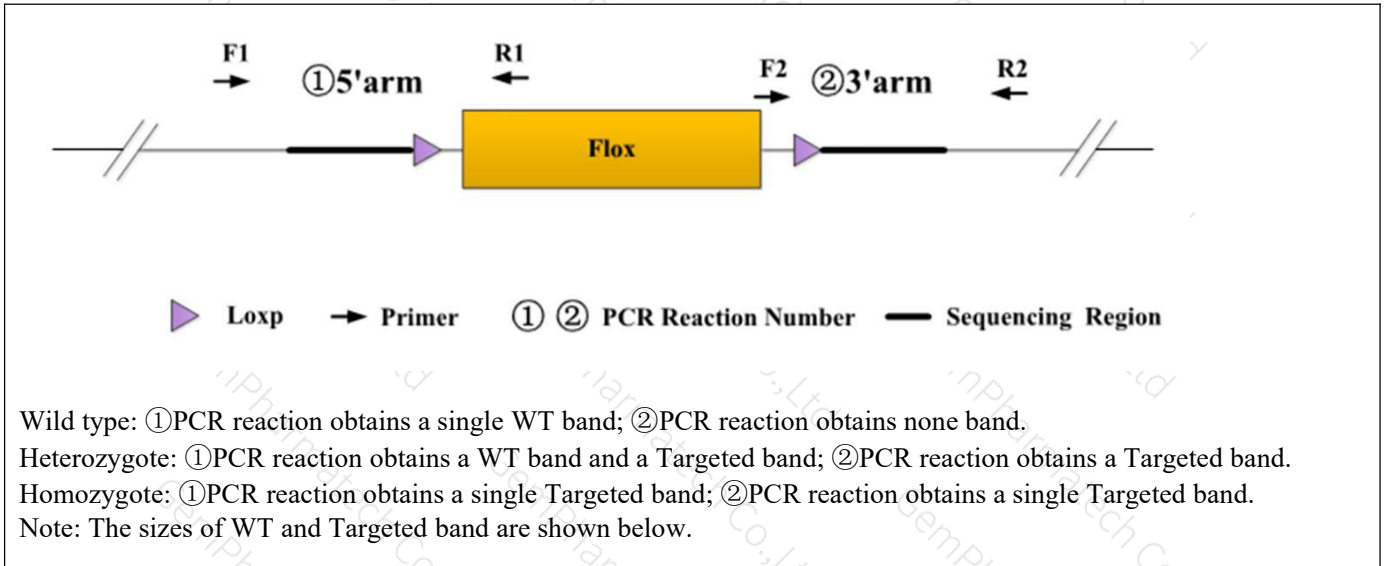


Genotyping Report

Strain ID	T013291	Strain Type	CKO(Cas9)	Genetic Background	C57BL/6JGpt
Designer	Ying Chen	Gene Name	Sox9		

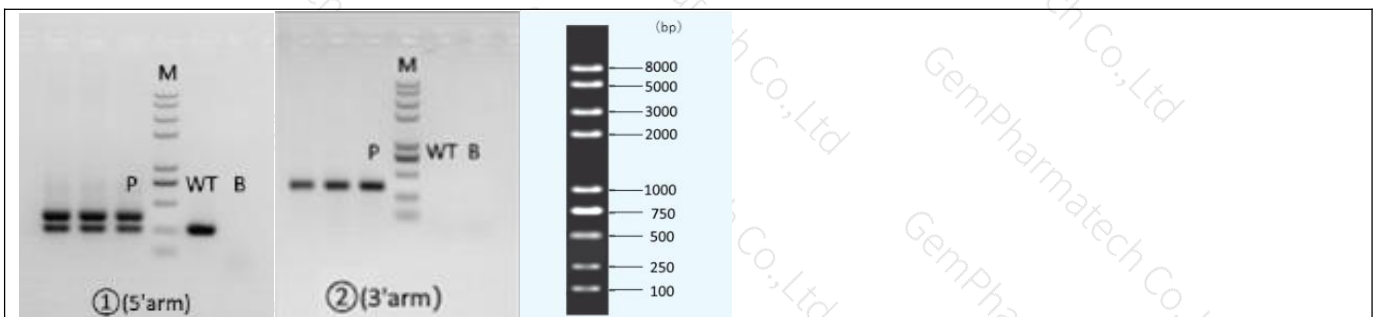
1. Strategy of Genotyping



2. Primer Information

PCR No.	Primer No.	Primer Name	Sequence	Band Size
①(5'arm)	F1	T013291-F1	CCATAGAGACCTTTAAGGCTATTTCGG	WT:250bp Targeted:354bp
	R1	T013291-R1	GCTGTTTCTGCTGTTTGCTCTCC	
②(3'arm)	F2	T013291-F2	TCTGAGGCGGAAAGAACCAG	WT:0bp Targeted:358bp
	R2	T013291-R2	GAGGAGGAGAATCTGATGTCTGGAG	

3. Gel Image & Conclusion



Note: P: Heterozygous samples; WT: Wildtype control; B: Blank control (ddH₂O); M: DNA Ladder

① Control (WT) : It is an important reference mark for whether the PCR reaction is successful and whether the product band position and size meet the theoretical requirements.

② Control (B) : PCR amplification was performed without template in the PCR reagent to monitor whether the reagent

was contaminated.

4. PCR Condition

(Generally recommend to use Vazyme P222; If the sequences contain special structures such as GC% ≥ 60% or GC% ≤ 40%, recommend to use Vazyme P515.)

PCR Reaction Component			
Seg.	Reaction Component		Volume (μl)
1	2 × Rapid Taq Master Mix(Vazyme P222) or 2 × Phanta Max Master Mix (Vazyme P515)		12.5
2	ddH ₂ O		9.5
3	Primer A(10pmol/μl)		1
4	Primer B(10pmol/μl)		1
5	Template(20~80ng/μl)		1
PCR program I (priority selection)			
Seg.	Temp.	Time	Cycle
1	95°C	5min	
2	98°C	30s	20×
3	65°C*(-0.5°C/cycle)	30s	
4	72°C	45s*	
5	98°C	30s	15×
6	55°C*	30s	
7	72°C	45s*	
8	72°C	5min	
9	10°C	hold	
PCR program II (the second choice)			
Seg.	Temp.	Time	Cycle
1	95°C	5min	
2	98°C	30s	35×
3	58°C*	30s	
4	72°C	45s*	
5	72°C	5min	
6	10°C	hold	

Note*: Annealing temperature and extension time can be determined according to the actual amplification situation and amplification enzyme efficiency.