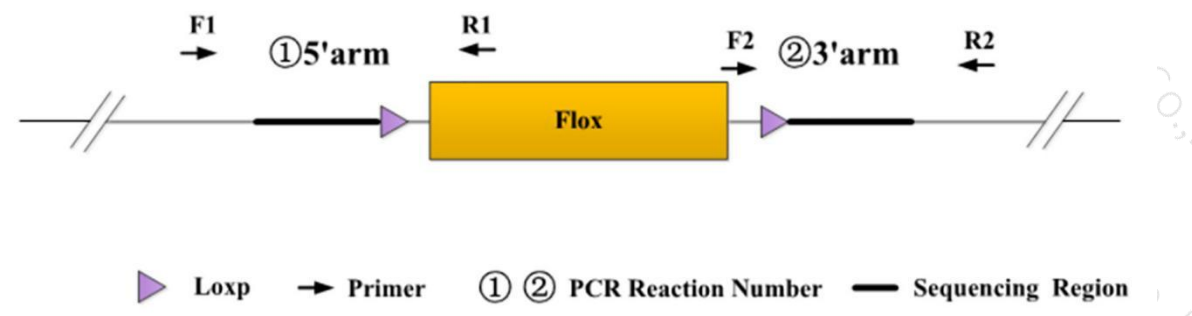


Genotyping Report

Strain ID	T051931	Strain Type	CKO(Cas9)	Genetic Background	C57BL/6JGpt
Designer	Zifan Lin	Gene Name	<i>Il10rb</i>		

1. Strategy of Genotyping

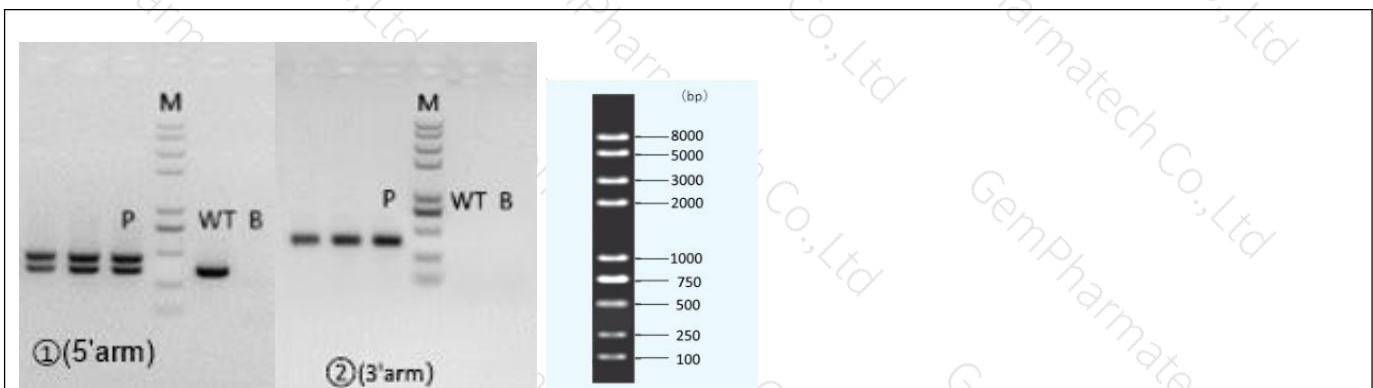


Wild type: ①PCR reaction obtains a single WT band; ②PCR reaction obtains none band.
Heterozygote: ①PCR reaction obtains a WT band and a Targeted band; ②PCR reaction obtains a Targeted band.
Homozygote: ①PCR reaction obtains a single Targeted band; ②PCR reaction obtains a Targeted band.
Note: The sizes of WT and Targeted band are shown below.

2. Primer Information

PCR No.	Primer No.	Primer Name	Sequence	Band Size
①(5'arm)	F1	T051931-F1	ATCCACCAGGAAGCAGACAGAAAG	WT:336bp Targeted:441bp
	R1	T051931-R1	CAACTACACCGAGGTACAACAGGAC	
②(3'arm)	F2	T051931-F2	ATCGCATTGTCTGAGTAGGTG	WT:0bp Targeted:383bp
	R2	T051931-R2	ACCCTTGTAACCACTGAAGACC	

3. Gel Image & Conclusion



Note: P: Heterozygous samples; WT: Wildtype control; B: Blank control (ddH₂O); M: DNA Ladder

① Control (WT) : It is an important reference mark for whether the PCR reaction is successful and whether the product band position and size meet the theoretical requirements.

② Control (B) : PCR amplification was performed without template in the PCR reagent to monitor whether the reagent was contaminated.

4. PCR Condition

(Generally recommend to use Vazyme P222; If the sequences contain special structures such as GC% \geq 60% or GC% \leq 40%, recommend to use Vazyme P515.)

PCR Reaction Component

Seg.	Reaction Component	Volume (μ l)
1	2 \times Rapid Taq Master Mix (Vazyme P222) or 2 \times Phanta Max Master Mix (Vazyme P515)	12.5
2	ddH ₂ O	9.5
3	Primer A (10 pmol/ μ l)	1
4	Primer B (10 pmol/ μ l)	1
5	Template (20~80 ng/ μ l)	1

PCR program I priority selection

Seg.	Temp.	Time	Cycle
1	95°C	5min	20 \times
2	98°C	30s	
3	65°C* (-0.5°C/cycle)	30s	
4	72°C	45s*	
5	98°C	30s	15 \times
6	55°C*	30s	
7	72°C	45s*	
8	72°C	5min	
9	10°C	hold	

PCR program II the second choice

Seg.	Temp.	Time	Cycle
1	95°C	5min	35 \times
2	98°C	30s	
3	58°C*	30s	
4	72°C	45s*	
5	72°C	5min	
6	10°C	hold	

Note*: Annealing temperature and extension time can be determined according to the actual amplification situation and amplification enzyme efficiency.