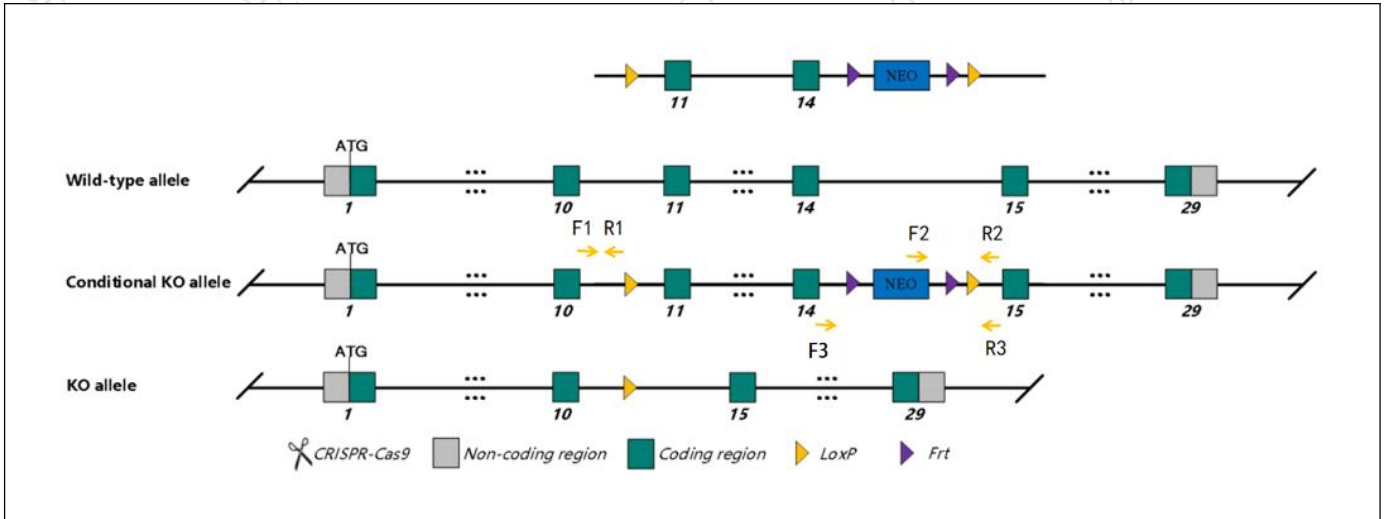


Genotyping Report

Strain ID	T000827	Strain Type	CKO ES	Genetic Background	C57BL/6NGpt
Designer	Ya'nan Xu	Gene Name	<i>Kdm6a</i>		

1. Strategy of Genotyping



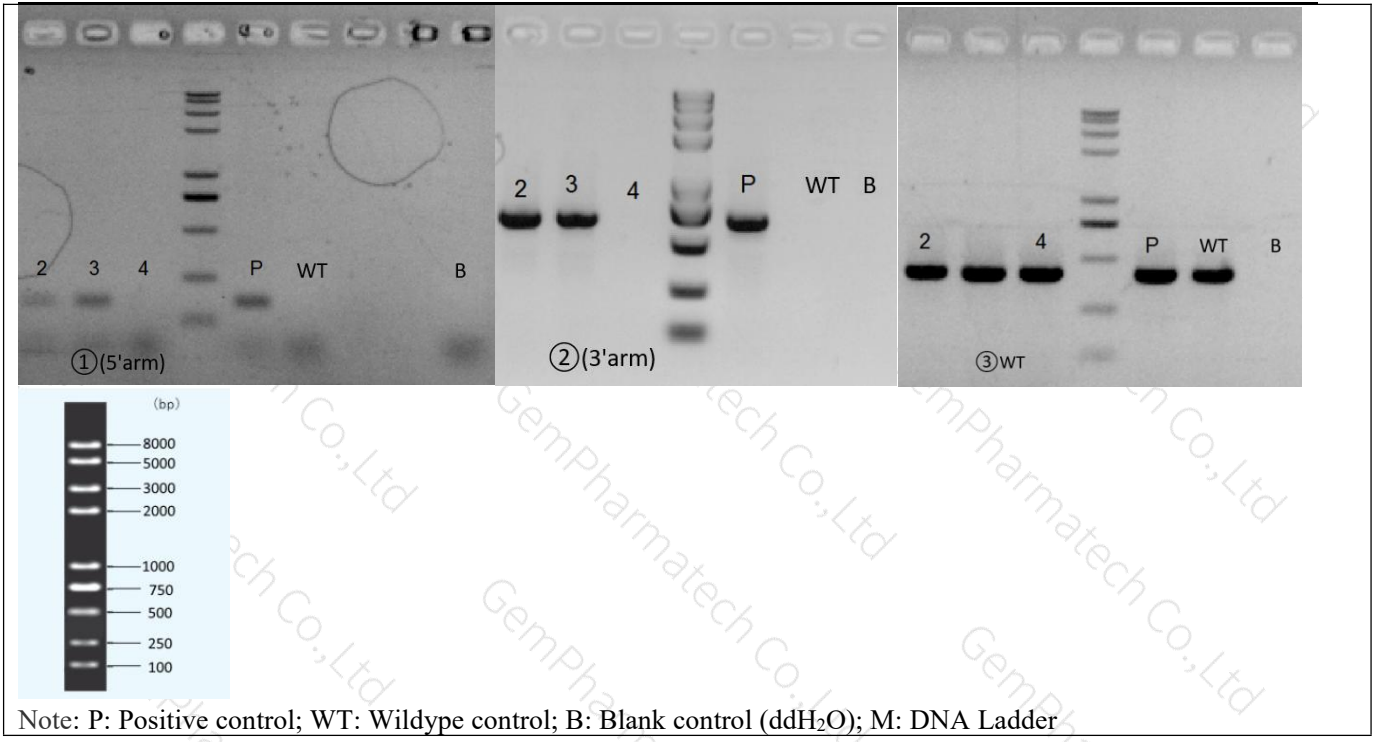
2. Primer Information

PCR No.	Primer No.	Sequence	Band Size
①(5'arm)	T000827-F1	CAATGATGTTTGTATTAGGTACAT	Fln=Fl:159bp
	T000827-R1	AAGGGTTATTGAATATGATCGGA	
②(3'arm)	T000827-F2	GCATCGCATTGTCTGAGTAGGTG	Fln:636bp
	T000827-R2	CTACATACAGAAGCCATAGCCAGT	
③WT	T000827-F3	AAGGTTCTGCTGGCATAGTGGA	Fln:2285bp Fl:491bp WT:407bp
	T000827-R3	CTACATACAGAAGCCATAGCCAGT	

备注：伴X遗传

3. Gel Image & Conclusion





4. PCR Condition

PCR Reaction Component			
Seg.	reaction component	Volume (μl)	
1	2 × Taq Master Mix , Dye Plus , (Vazyme P112-03)	12.5	
2	ddH ₂ O	9.5	
3	Primer A(10pmol/μl)	1	
4	Primer B(10pmol/μl)	1	
5	Template(≈ 100ng/μl)	1	
PCR program			
Seg.	Temp.	Time	Cycle
1	95°C	5min	20×
2	98°C	30s	
3	65°C (-0.5°C/cycle)	30s	
4	72°C	45s	
5	98°C	30s	20×
6	55°C	30s	
7	72°C	45s	
8	72°C	5min	
9	10°C	hold	

