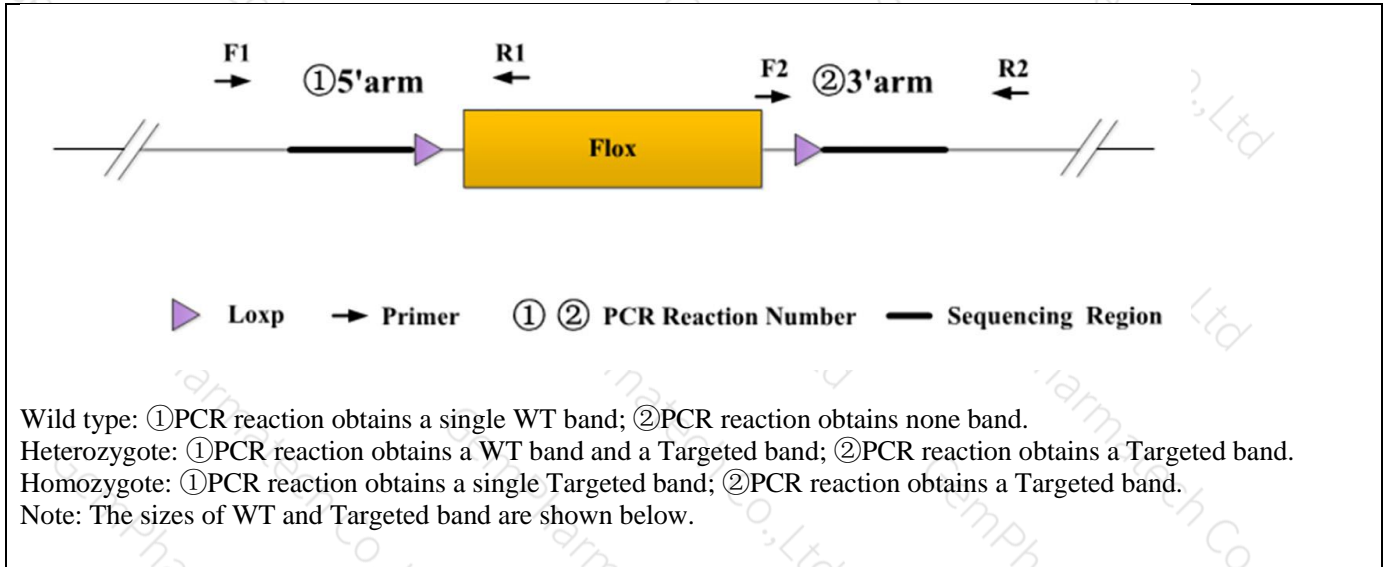


Genotyping Report

Strain ID	T042947	Strain Type	CKO(Cas9)	Genetic Background	C57BL/6JGpt
Designer	Zifan Lin	Gene Name	<i>Efcc1</i>		

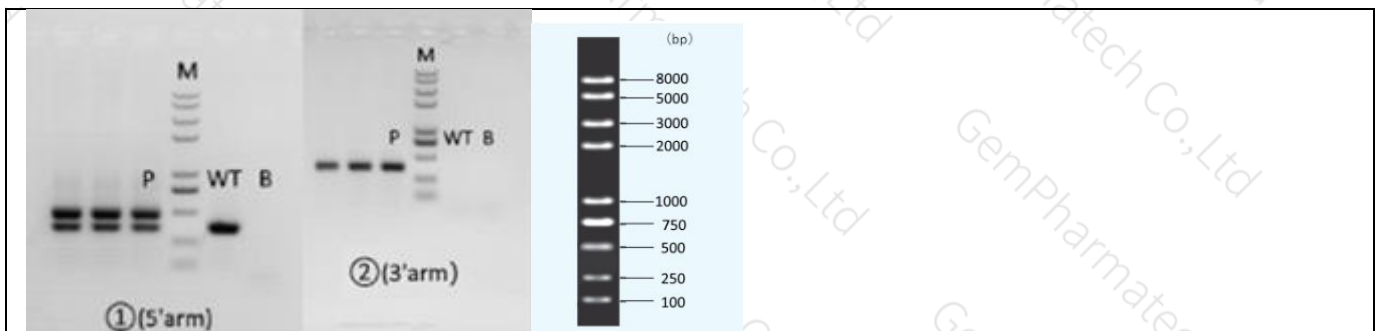
1. Strategy of Genotyping



2. Primer Information

PCR No.	Primer No.	Sequence	Band Size
①(5'arm)	T042947-F1	TACAGGCTTGCAGTAGGATCTAGG	WT: 356bp Targeted: 461bp
	T042947-R1	TTTCTCCAGCACCATGTCTGC	
②(3'arm)	T042947-F2	CATCGCATTGTCTGAGTAGGTG	WT: 0bp Targeted: 367bp
	T042947-R2	CGGCCTTCAGATGAACATACAG	

3. Gel Image & Conclusion





4. PCR Condition

PCR Reaction Component			
Seg.	reaction component		Volume (μ l)
1	2 \times Taq Master Mix , Dye Plus, (Vazyme P112-03)		12.5
2	ddH ₂ O		9.5
3	Primer A(10 μ mol/ μ l)		1
4	Primer B(10 μ mol/ μ l)		1
5	Template(\approx 100ng/ μ l)		1
PCR program			
Seg.	Temp.	Time	Cycle
1	95 $^{\circ}$ C	5min	20 \times
2	98 $^{\circ}$ C	30s	
3	65 $^{\circ}$ C (-0.5 $^{\circ}$ C/cycle)	30s	
4	72 $^{\circ}$ C	45s	20 \times
5	98 $^{\circ}$ C	30s	
6	55 $^{\circ}$ C	30s	
7	72 $^{\circ}$ C	45s	
8	72 $^{\circ}$ C	5min	
9	10 $^{\circ}$ C	hold	