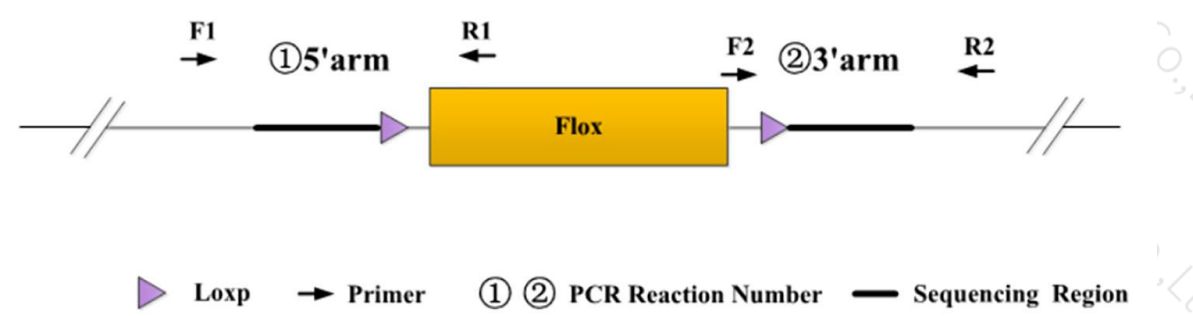


Genotyping Report

Strain ID	T023793	Strain Type	CKO(Cas9)	Genetic Background	C57BL/6JGpt
Designer	Zifan Lin	Gene Name	<i>Hpse2</i>		

1. Strategy of Genotyping

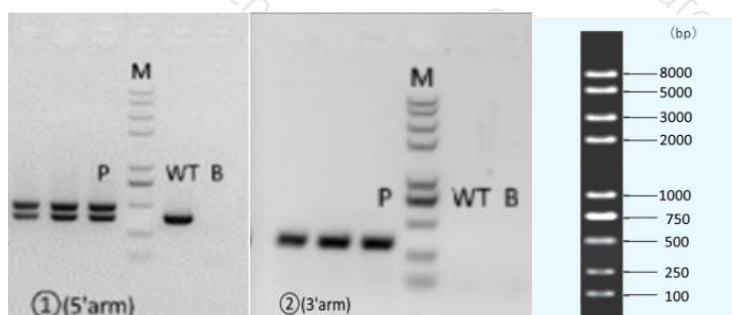


Wild type: ①PCR reaction obtains a single WT band; ②PCR reaction obtains none band.
 Heterozygote: ①PCR reaction obtains a WT band and a Targeted band; ②PCR reaction obtains a Targeted band.
 Homozygote: ①PCR reaction obtains a single Targeted band; ②PCR reaction obtains a Targeted band.
 Note: The sizes of WT and Targeted band are shown below.

2. Primer Information

PCR No.	Primer No.	Sequence	Band Size
①(5'arm)	T023793-F1	GACTTTAGATGCTGTGCTTGGG	WT:368bp Targeted:473bp
	T023793-R1	TTTACCCTCAGCCTCTGGATTC	
②(3'arm)	T023793-F2	GCATCGCATTGTCTGAGTAGGTG	WT:0bp Targeted:346bp
	T023793-R2	GCCAATCCCTTTCTCCTCATG	

3. Gel Image & Conclusion



Note: P:Positive control; WT: Wildtype control; B: Blank control (ddH₂O); M: DNA Ladder

4. PCR Condition

PCR Reaction Component			
Seg.	reaction component		Volume (μl)
1	2 × Taq Master Mix , Dye Plus, (Vazyme P112-03)		12.5
2	ddH2O		9.5
3	Primer A(10pmol/μl)		1
4	Primer B(10pmol/μl)		1
5	Template(≈100ng/μl)		1
PCR program			
Seg.	Temp.	Time	Cycle
1	95℃	5min	20×
2	98℃	30s	
3	65℃ (-0.5℃/cycle)	30s	
4	72℃	45s	20×
5	98℃	30s	
6	55℃	30s	
7	72℃	45s	
8	72℃	5min	
9	10℃	hold	