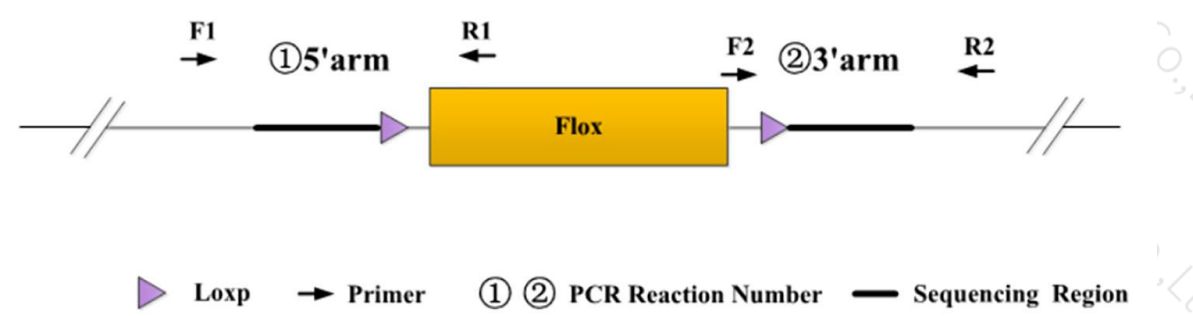


## Genotyping Report

Strain ID	T021840	Strain Type	CKO(Cas9)	Genetic Background	C57BL/6JGpt
Designer	Zifan Lin	Gene Name	<i>Cdcp1</i>		

### 1. Strategy of Genotyping

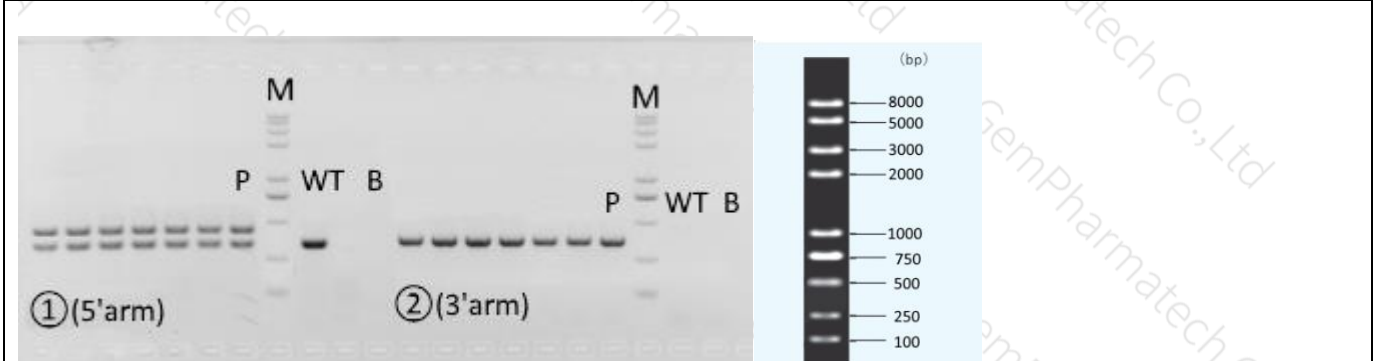


Wild type: ①PCR reaction obtains a single WT band; ②PCR reaction obtains none band.  
 Heterozygote: ①PCR reaction obtains a WT band and a Targeted band; ②PCR reaction obtains a Targeted band.  
 Homozygote: ①PCR reaction obtains a single Targeted band; ②PCR reaction obtains a Targeted band.  
 Note: The sizes of WT and Targeted band are shown below.

### 2. Primer Information

PCR No.	Primer No.	Sequence	Band Size
①(5'arm)	T021840-F1	GAGTTGACCAGAGAAAGCTGCTG	WT:335bp Targeted:439bp
	T021840-R1	TTCTTGCCACAGGTGCTTTG	
②(3'arm)	T021840-F2	TCTGAGGCGGAAAGAACCAG	WT:0bp Targeted:335bp
	T021840-R2	CAGGGACTTGGACAATAGCTGAC	

### 3. Gel Image & Conclusion



Note: P:Positive control; WT: Wildtype control; B: Blank control (ddH<sub>2</sub>O); M: DNA Ladder  
 ① Control (WT) : It is an important reference mark for whether the PCR reaction is successful and whether the

product band position and size meet the theoretical requirements.

② Control (B) : PCR amplification was performed without template in the PCR reagent to monitor whether the reagent was contaminated.

#### 4. PCR Condition

PCR Reaction Component			
Seg.	reaction component		Volume (μl)
1	2 × Rapid Taq Master Mix (Vazyme P222)		12.5
2	ddH <sub>2</sub> O		9.5
3	Primer A(10pmol/μl)		1
4	Primer B(10pmol/μl)		1
5	Template(≈100ng/μl)		1
PCR program ① priority selection			
Seg.	Temp.	Time	Cycle
1	95℃	5min	
2	98℃	30s	20×
3	65℃* (-0.5℃/cycle)	30s	
4	72℃	45s*	
5	98℃	30s	20×
6	55℃*	30s	
7	72℃	45s*	
8	72℃	5min	
9	10℃	hold	
PCR program ② the second choice			
Seg.	Temp.	Time	Cycle
1	95℃	5min	
2	98℃	30s	35×
3	58℃*	30s	
4	72℃	45s*	
5	72℃	5min	
6	10℃	hold	

Note\*: Annealing temperature and extension time can be determined according to the actual amplification situation and amplification enzyme efficiency.