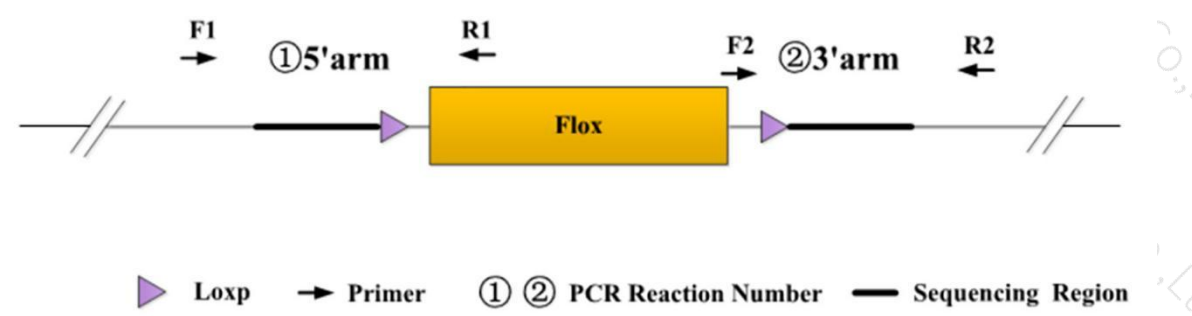


## Genotyping Report

Strain ID	T018637	Strain Type	CKO(Cas9)	Genetic Background	C57BL/6JGpt
Designer	Zifan Lin	Gene Name	<i>Ush1c</i>		

### 1. Strategy of Genotyping

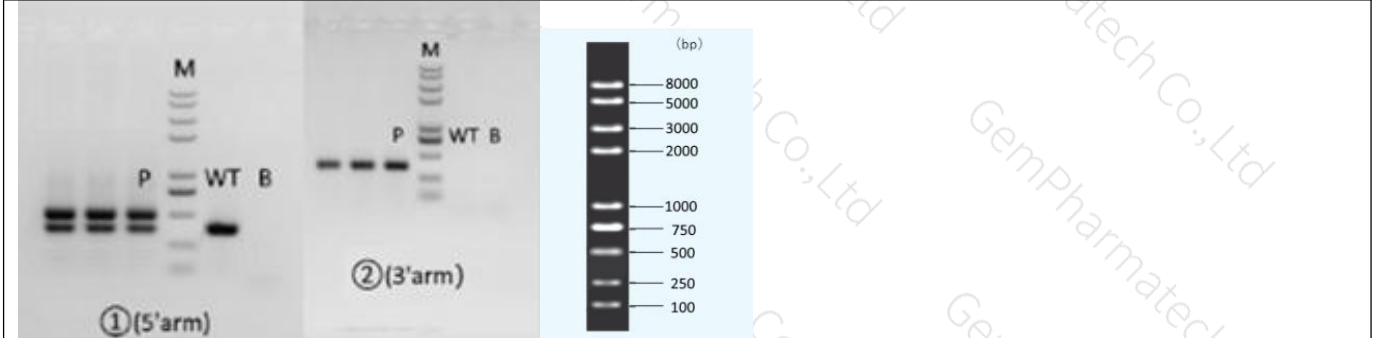


Wild type: ①PCR reaction obtains a single WT band; ②PCR reaction obtains none band.  
 Heterozygote: ①PCR reaction obtains a WT band and a Targeted band; ②PCR reaction obtains a Targeted band.  
 Homozygote: ①PCR reaction obtains a single Targeted band; ②PCR reaction obtains a Targeted band.  
 Note: The sizes of WT and Targeted band are shown below.

### 2. Primer Information

PCR No.	Primer No.	Sequence	Band Size
①(5'arm)	T018637-F1	CAGCTAAGGGAGAATGGTTTACG	WT:325 bp Targeted:429 bp
	T018637-R1	GCATCTTTACTCCTCTGGGTGACC	
②(3'arm)	T018637-F2	TCTGAGGCGGAAAGAACCAG	WT:0 bp Targeted:376 bp
	T018637-R2	GCTCCAGGGAATTCAATGCC	

### 3. Gel Image & Conclusion



Note: P:Positive control; WT: Wildtype control; B: Blank control (ddH<sub>2</sub>O); M: DNA Ladder



#### 4. PCR Condition

PCR Reaction Component			
Seg.	reaction component		Volume (μl)
1	2 × Taq Master Mix , Dye Plus, (Vazyme P112-03)		12.5
2	ddH2O		9.5
3	Primer A(10pmol/μl)		1
4	Primer B(10pmol/μl)		1
5	Template(≈100ng/μl)		1
PCR program			
Seg.	Temp.	Time	Cycle
1	95℃	5min	20×
2	98℃	30s	
3	65℃ (-0.5℃/cycle)	30s	
4	72℃	45s	
5	98℃	30s	20×
6	55℃	30s	
7	72℃	45s	
8	72℃	5min	
9	10℃	hold	

Reviewer:Ting Sun

Date:2021-8-11