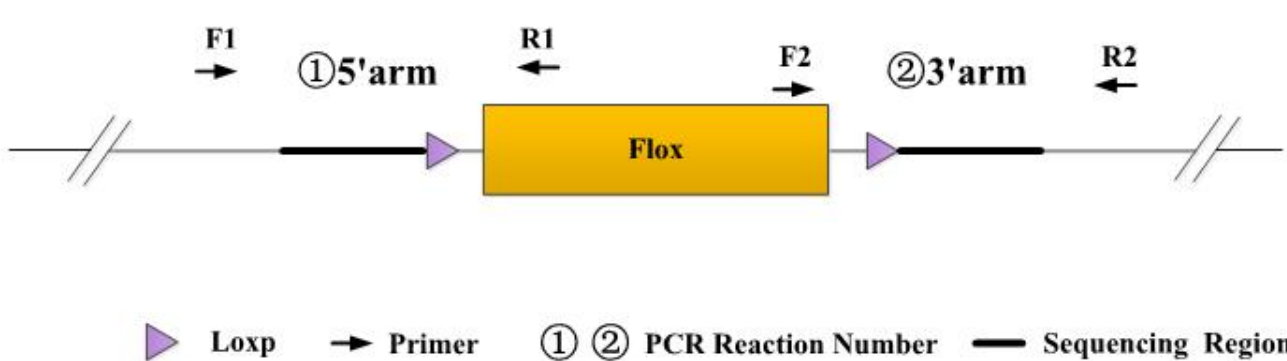





Genotyping Report

Strain ID	T016517	Strain Type	CKO(Cas9)	Genetic Background	C57BL/6JGpt
Designer	Ya'nan Xu	Gene Name	<i>Chd7</i>		

1. Strategy of Genotyping



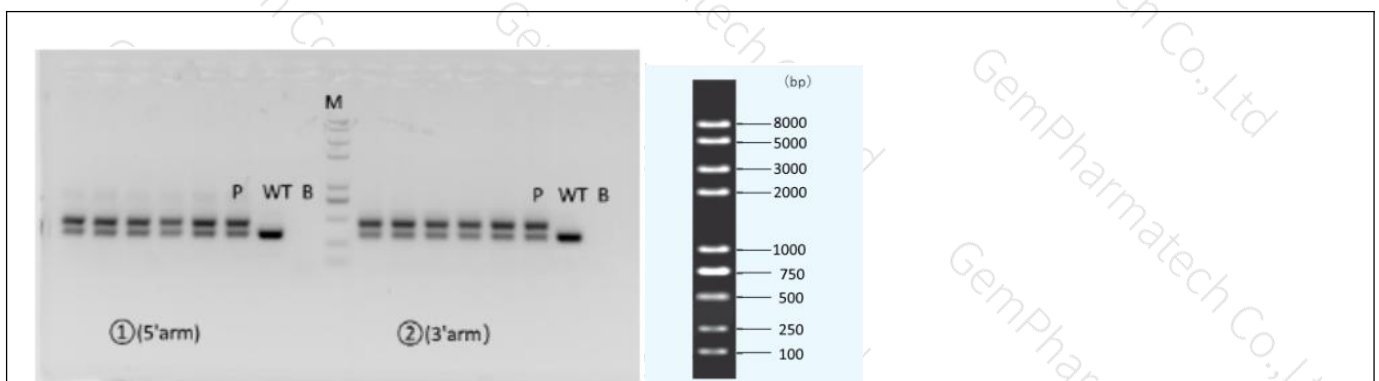
Legend:
 Loxp  Primer ① ② PCR Reaction Number  Sequencing Region

Wild type: ①PCR reaction obtains a single WT band; ②PCR reaction obtains a single WT band.
Heterozygote: ①PCR reaction obtains a WT band and a Targeted band; ②PCR reaction obtains a WT band and a Targeted band.
Homozygote: ①PCR reaction obtains a single Targeted band; ②PCR reaction obtains a single Targeted band.
Note: The sizes of WT and Targeted band are shown below.

2. Primer Information

PCR No.	Primer No.	Sequence	Band Size
①(5'arm)	JS08017-5S1-tF1	CCCTACACTGCTCTGTTTTGTGG	WT: 322bp Targeted: 427bp
	JS08017-5S1-tR1	GACAGACTGCTGCACCTGAGAAA	
②(3'arm)	JS08017-3S1-tF1	AATCCGAGAGAAGACATTGAGGACT	WT: 323bp Targeted: 429bp
	JS08017-3S1-tR1	ATGACACAGTGTAGCCCATCAGC	

3. Gel Image & Conclusion



Note: P: Heterozygous samples; WT: Wildtype control; B: Blank control (ddH₂O); M: DNA Ladder
 ① Control (WT) : It is an important reference mark for whether the PCR reaction is successful and whether the product band position and size meet the theoretical requirements.
 ② Control (B) : PCR amplification was performed without template in the PCR reagent to monitor whether the reagent was contaminated.

4. PCR Condition

PCR Reaction Component			
Seg.	reaction component		Volume (μl)
1	2 × Rapid Taq Master Mix (Vazyme P222)		12.5
2	ddH ₂ O		9.5
3	Primer A(10pmol/μl)		1
4	Primer B(10pmol/μl)		1
5	Template(20~80ng/μl)		1
PCR program I priority selection			
Seg.	Temp.	Time	Cycle
1	95℃	5min	20×
2	98℃	30s	
3	65℃* (-0.5℃/cycle)	30s	
4	72℃	45s*	15×
5	98℃	30s	
6	55℃*	30s	
7	72℃	45s*	
8	72℃	5min	
9	10℃	hold	
PCR program II the second choice			
Seg.	Temp.	Time	Cycle
1	95℃	5min	35×
2	98℃	30s	
3	58℃*	30s	
4	72℃	45s*	
5	72℃	5min	
6	10℃	hold	

Note*: Annealing temperature and extension time can be determined according to the actual amplification situation and amplification enzyme efficiency.

