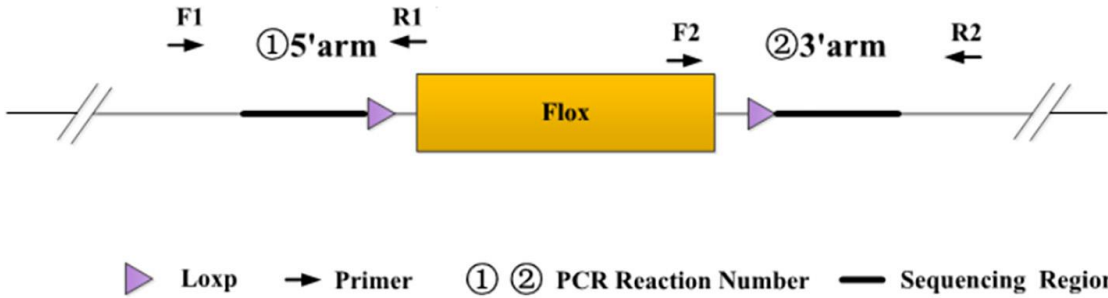


## Genotyping Report

Strain ID	T005480	Strain Type	CKO(Cas9)	Genetic Background	C57BL/6JGpt
Designer	Zifan Lin	Gene Name	Trp53		

### 1. Strategy of Genotyping

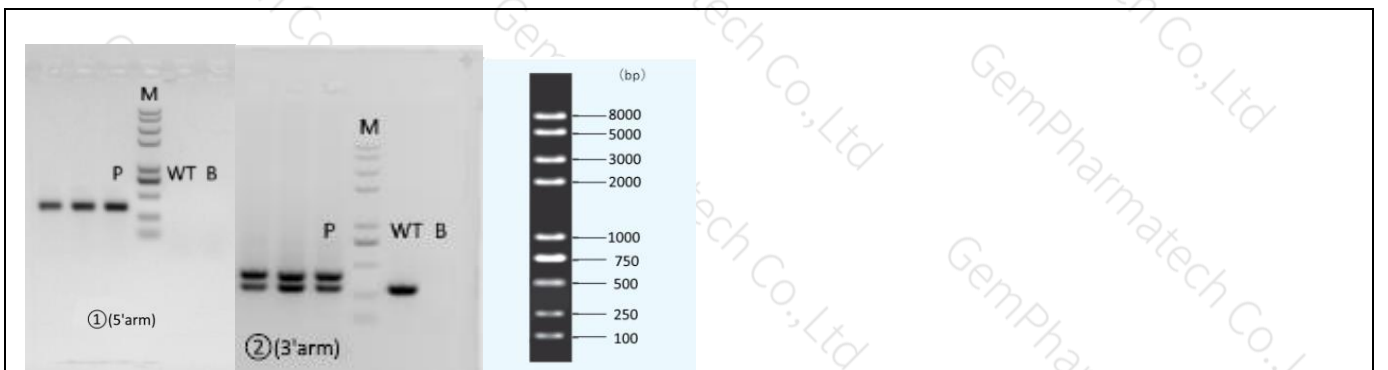


Wild type: ①PCR reaction obtains none band; ②PCR reaction obtains a single WT band.  
Heterozygote: ①PCR reaction obtains a Targeted band; ②PCR reaction obtains a WT band and a Targeted band.  
Homozygote: ①PCR reaction obtains a Targeted band; ②PCR reaction obtains a single Targeted band.  
Note: The sizes of WT and Targeted band are shown below.

### 2. Primer Information

PCR No.	Primer No.	Primer Name	Sequence	Band Size
①(5'arm)	F1	00460-Trp53-D5-5tF1	GGGAGTTGTCTTTCGTGTGACCT	WT:0bp Targeted:343bp
	R1	Common En2-R	CCAACTGACCTTGGGCAAGAACAT	
②(3'arm)	F2	00460-Trp53-3wt-tF2	TATGAGGGACAAGGTATGGTGTC	WT:296bp Targeted:374bp
	R2	00460-Trp53-3wt-tR2	GGGATATTCACAGAACACACTGG	

### 3. Gel Image & Conclusion



Note: P:Positive control; WT: Wildtype control; B: Blank control (ddH<sub>2</sub>O); M: DNA Ladder

#### 4. PCR Condition

PCR Reaction Component			
Seg.	reaction component		Volume (μl)
1	2 × Taq Master Mix , Dye Plus, (Vazyme P112-03)		12.5
2	ddH <sub>2</sub> O		9.5
3	Primer A(10pmol/μl)		1
4	Primer B(10pmol/μl)		1
5	Template(≈100ng/μl)		1
PCR program			
Seg.	Temp.	Time	Cycle
1	95℃	5min	
2	98℃	30s	20×
3	65℃ (-0.5℃/cycle)	30s	
4	72℃	45s	
5	98℃	30s	
6	55℃	30s	20×
7	72℃	45s	
8	72℃	5min	
9	10℃	hold	

Reviewer:Ting Sun

Date:2020-5-12