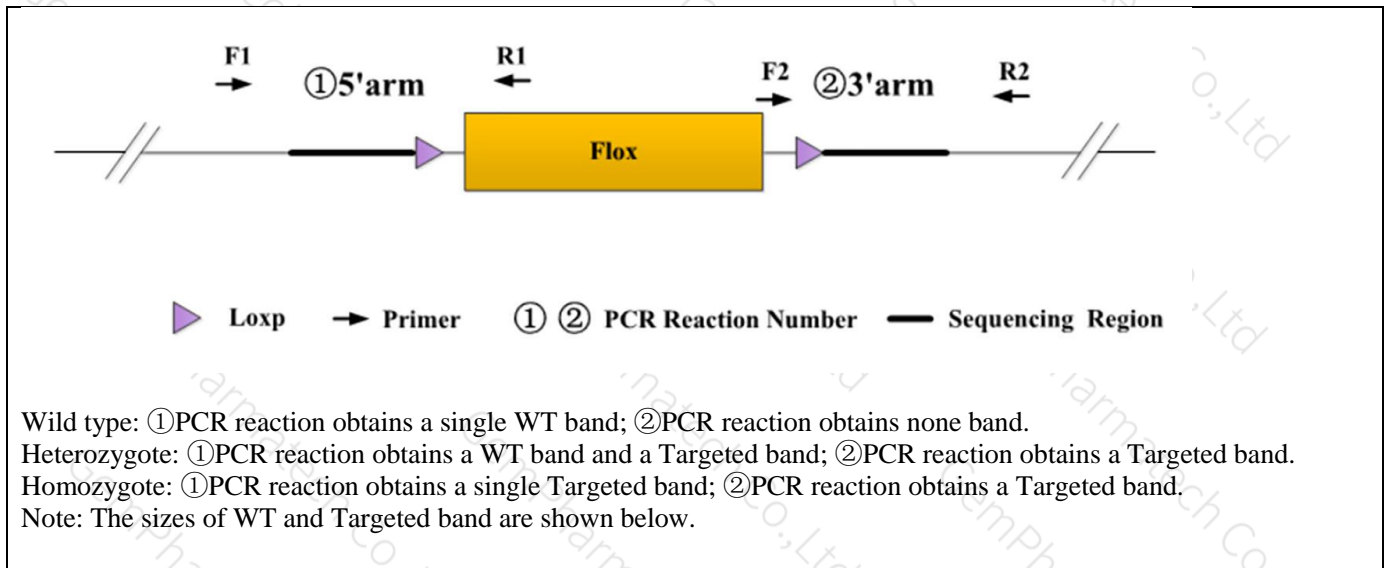


Genotyping Report

Strain ID	T042175	Strain Type	CKO(Cas9)	Genetic Background	C57BL/6JGpt
Designer	Zifan Lin	Gene Name	<i>Albfn1</i>		

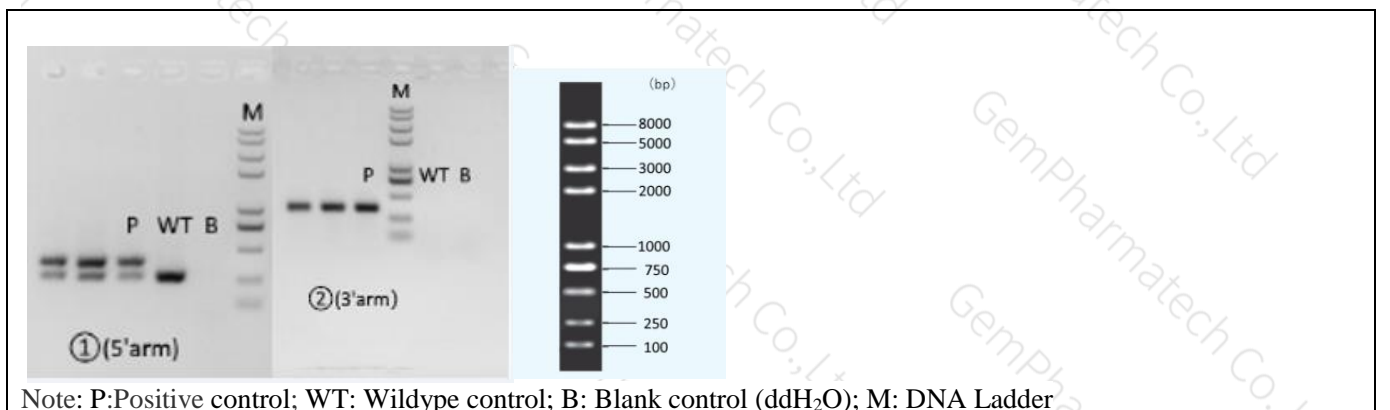
1. Strategy of Genotyping



2. Primer Information

PCR No.	Primer No.	Sequence	Band Size
①(5'arm)	T042175-F1	CATGAGTCCCTTCTCCTGATAAAATGTC	WT: 255bp Targeted: 360bp
	T042175-R1	TGATGAGACCCTGGGGAAATGGTT	
②(3'arm)	T042175-F2	CATCGCATTGTCTGAGTAGGTG	WT: 0bp Targeted: 345bp
	T042175-R2	GAAGCAGGTAGCAGCCTGTTTGG	

3. Gel Image & Conclusion



4. PCR Condition

PCR Reaction Component			
Seg.	reaction component		Volume (μl)
1	2 × Taq Master Mix , Dye Plus, (Vazyme P112-03)		12.5
2	ddH2O		9.5
3	Primer A(10pmol/μl)		1
4	Primer B(10pmol/μl)		1
5	Template(≈100ng/μl)		1
PCR program			
Seg.	Temp.	Time	Cycle
1	95℃	5min	20×
2	98℃	30s	
3	65℃ (-0.5℃/cycle)	30s	
4	72℃	45s	20×
5	98℃	30s	
6	55℃	30s	
7	72℃	45s	
8	72℃	5min	
9	10℃	hold	