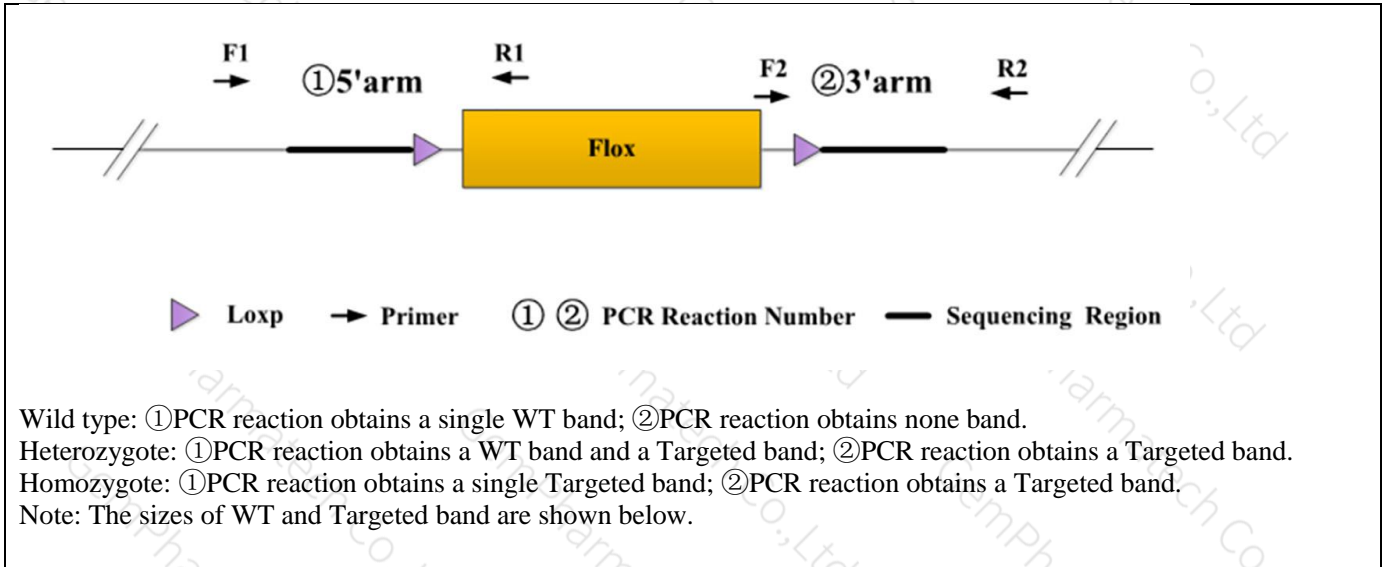


Genotyping Report

| | | | | | |
|-----------|-----------|-------------|----------------|--------------------|-------------|
| Strain ID | T040325 | Strain Type | CKO(Cas9) | Genetic Background | C57BL/6JGpt |
| Designer | Zifan Lin | Gene Name | <i>Cfap161</i> | | |

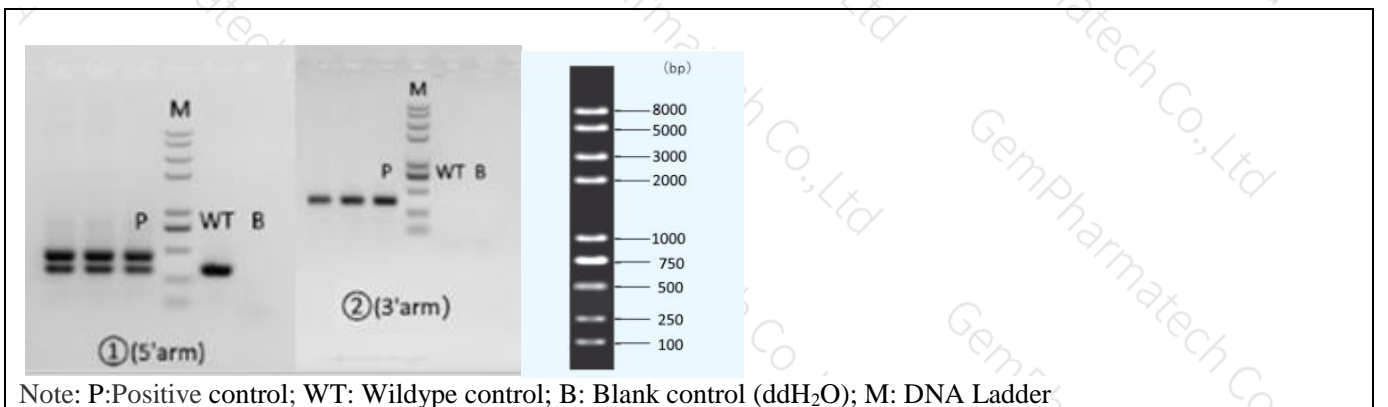
1. Strategy of Genotyping



2. Primer Information

| PCR No. | Primer No. | Sequence | Band Size |
|----------|------------|---------------------------|------------------------------|
| ①(5'arm) | T040325-F1 | CCTGGAAGATTATGAGGGAAGACTG | WT: 307bp Targeted: 412bp |
| | T040325-R1 | CCCAAAGTACATGGCACAGTAC | |
| ②(3'arm) | T040325-F2 | CATCGCATTGTCTGAGTAGGTG | WT: 0bp Targeted: 334bp |
| | T040325-R2 | GAACAACTTAGGACTGTGGCAGTG | |

3. Gel Image & Conclusion



4. PCR Condition

| PCR Reaction Component | | | |
|------------------------|---|------|-------------|
| Seg. | reaction component | | Volume (μl) |
| 1 | 2 × Taq Master Mix , Dye Plus, (Vazyme P112-03) | | 12.5 |
| 2 | ddH2O | | 9.5 |
| 3 | Primer A(10pmol/μl) | | 1 |
| 4 | Primer B(10pmol/μl) | | 1 |
| 5 | Template(≈100ng/μl) | | 1 |
| PCR program | | | |
| Seg. | Temp. | Time | Cycle |
| 1 | 95℃ | 5min | 20× |
| 2 | 98℃ | 30s | |
| 3 | 65℃ (-0.5℃/cycle) | 30s | |
| 4 | 72℃ | 45s | 20× |
| 5 | 98℃ | 30s | |
| 6 | 55℃ | 30s | |
| 7 | 72℃ | 45s | |
| 8 | 72℃ | 5min | |
| 9 | 10℃ | hold | |