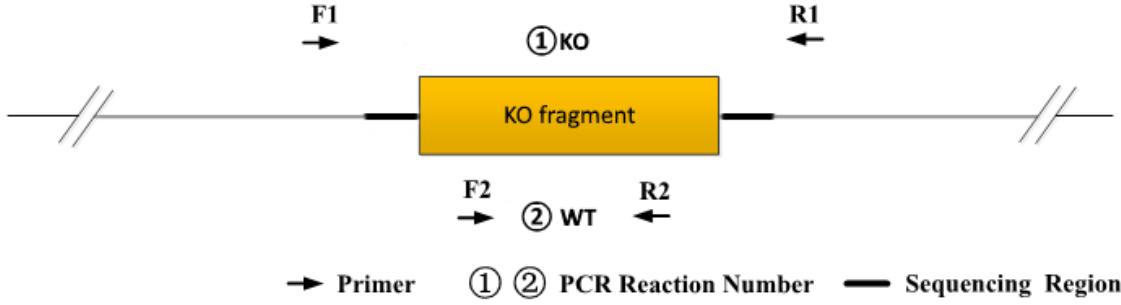


## Genotyping Report

Strain ID	T032832	Strain Type	KO(Cas9)	Genetic Background	C57BL/6JGpt
Designer	Zifan Lin	Gene Name	<i>Fam114a1</i>		

### 1. Strategy of Genotyping

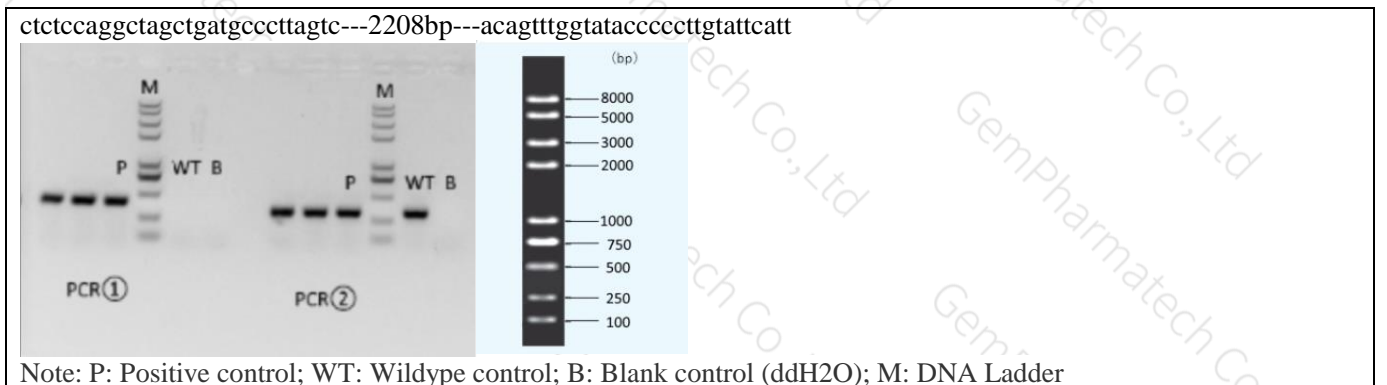


Wild type: ①PCR reaction obtains a single WT band; ②PCR reaction obtains a single WT band.  
 Heterozygote: ①PCR reaction obtains a WT band and a KO band; ②PCR reaction obtains a WT band.  
 Homozygote: ①PCR reaction obtains a single KO band; ② PCR reaction without product.  
 Note: 1)The sizes of WT and Targeted band are shown below.  
 2)If the WT band is too large, it may not be possible to obtain a WT band.

### 2. Primer Information

PCR No.	Primer No.	Sequence	Band Size
PCR①	T032832-F1	TTGTCAAGCCAGAAGCACATGC	WT:2607bp Target:399bp
	T032832-R1	AAATGCTGAGGCAAAGGACCAC	
PCR②	T032832-F2	ACCTGCTGCTAATCTGTTCTTCTGC	WT:350bp Targeted:0bp
	T032832-R2	TGTCCTTGTCTCTTGGTGGTTCAG	

### 3. Gel Image



#### 4. PCR Condition

PCR Reaction Component			
Seg.	reaction component		Volume (μl)
1	2 × Taq Master Mix , Dye Plus, (Vazyme P112-03)		12.5
2	ddH <sub>2</sub> O		9.5
3	Primer A(10pmol/μl)		1
4	Primer B(10pmol/μl)		1
5	Template(≈100ng/μl)		1
PCR program			
Seg.	Temp.	Time	Cycle
1	95°C	5min	
2	98°C	30s	20×
3	65°C (-0.5°C/cycle)	30s	
4	72°C	45s	
5	98°C	30s	20×
6	55°C	30s	
7	72°C	45s	
8	72°C	5min	
9	10°C	hold	

Reviewer:Ting Sun

Date:2021-7-28