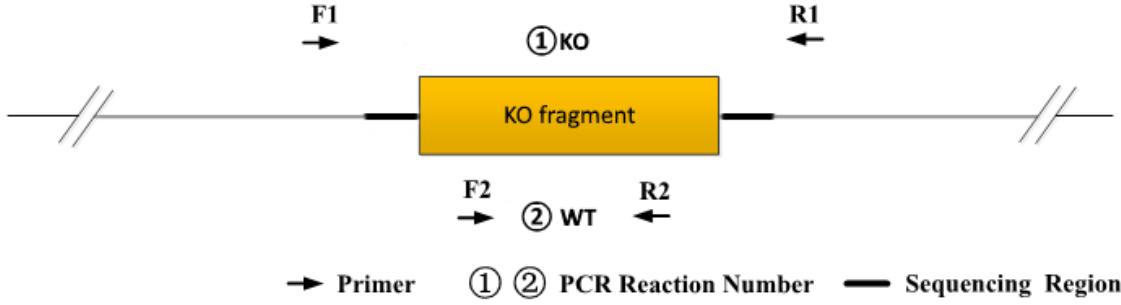


Genotyping Report

Strain ID	T032083	Strain Type	KO(Cas9)	Genetic Background	C57BL/6JGpt
Designer	Zifan Lin	Gene Name	<i>Gulp1</i>		

1. Strategy of Genotyping

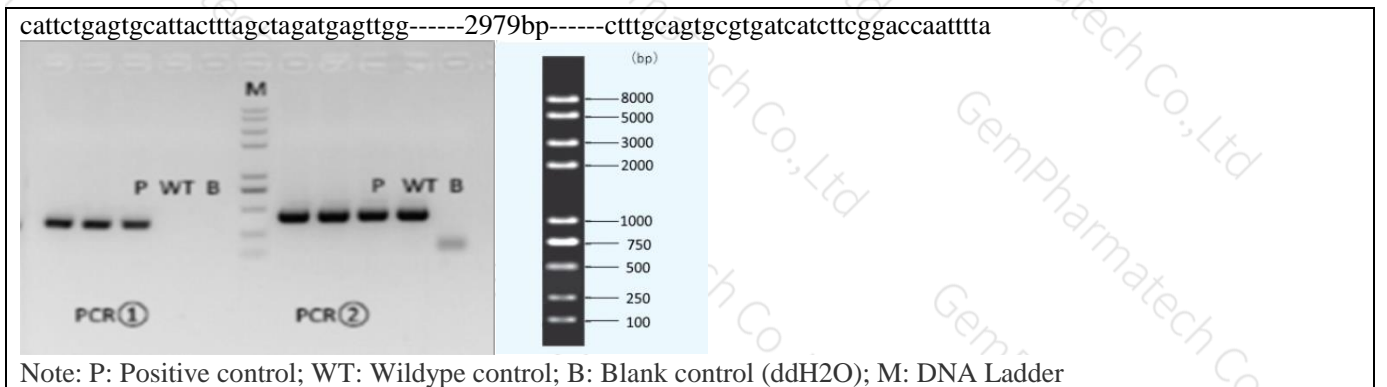


Wild type: ①PCR reaction obtains a single WT band; ②PCR reaction obtains a single WT band.
Heterozygote: ①PCR reaction obtains a WT band and a KO band; ②PCR reaction obtains a WT band.
Homozygote: ①PCR reaction obtains a single KO band; ② PCR reaction without product.
Note: 1)The sizes of WT and Targeted band are shown below.
2)If the WT band is too large, it may not be possible to obtain a WT band.

2. Primer Information

PCR No.	Primer No.	Sequence	Band Size
PCR①	T032083-F1	CTTGTGTGCATGTGTAAGCATGGAC	Target:328bp Wt:3307bp
	T032083-R1	GCACAGCTCAGATACAGTTTAGAACAGC	
PCR②	T032083-F2	GCACACCTTTAATCCCAGCAGAGA	Targeted:0bp WT:445bp
	T032083-R2	GTCCAACAGTTGAAGCTTACCATAACC	

3. Gel Image



4. PCR Condition

PCR Reaction Component			
Seg.	reaction component		Volume (μl)
1	2 × Taq Master Mix , Dye Plus, (Vazyme P112-03)		12.5
2	ddH ₂ O		9.5
3	Primer A(10pmol/μl)		1
4	Primer B(10pmol/μl)		1
5	Template(≈100ng/μl)		1
PCR program			
Seg.	Temp.	Time	Cycle
1	95°C	5min	
2	98°C	30s	20×
3	65°C (-0.5°C/cycle)	30s	
4	72°C	45s	
5	98°C	30s	
6	55°C	30s	20×
7	72°C	45s	
8	72°C	5min	
9	10°C	hold	

Reviewer:Ting Sun

Date:2021-6-9