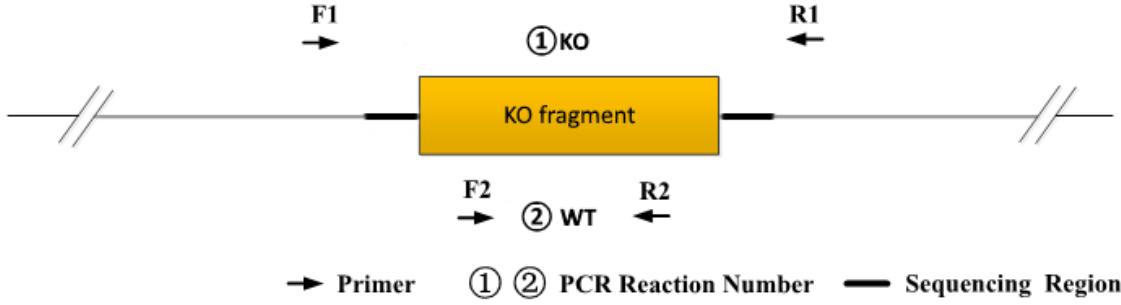


## Genotyping Report

Strain ID	T031025	Strain Type	KO(Cas9)	Genetic Background	C57BL/6JGpt
Designer	Zifan Lin	Gene Name	<i>Setd1b</i>		

### 1. Strategy of Genotyping

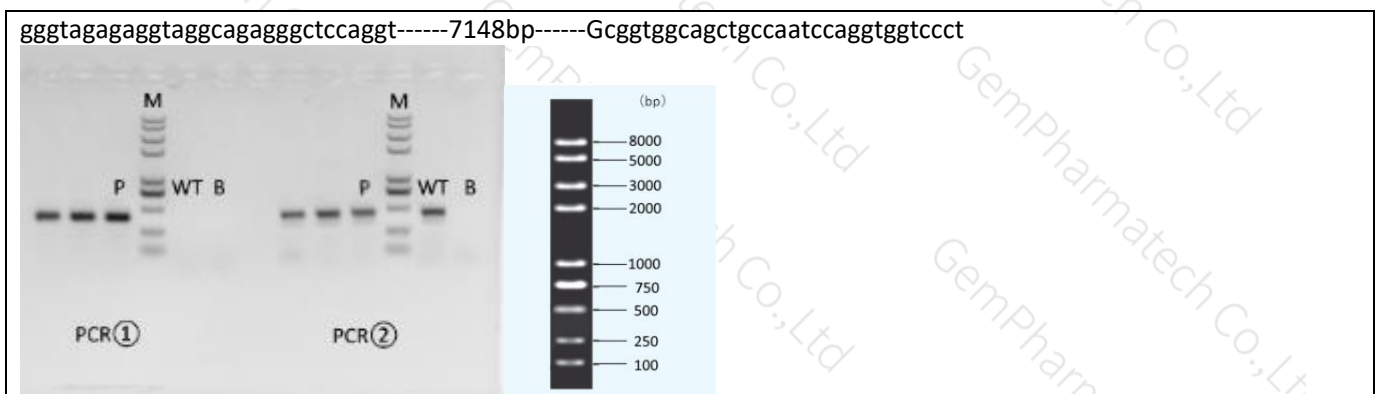


Wild type: ①PCR reaction obtains a single WT band; ②PCR reaction obtains a single WT band.  
Heterozygote: ①PCR reaction obtains a WT band and a KO band; ②PCR reaction obtains a WT band.  
Homozygote: ①PCR reaction obtains a single KO band; ② PCR reaction without product.  
Note: 1)The sizes of WT and Targeted band are shown below.  
2)If the WT band is too large, it may not be possible to obtain a WT band.

### 2. Primer Information

PCR No.	Primer No.	Sequence	Band Size
PCR①	T031025-F1	GTGTGGCTCACCTCCTTTGCAT	WT:7527bp KO: 380bp
	T031025-R1	CATAGCACAGACTGAGACTCCACCT	
PCR②	T031025-F2	CTCCCAGGATTCCAGCTACTCCAG	WT:468bp KO:0bp
	T031025-R2	TTCTCCTTGGCTGGAGGCTCA	

### 3. Gel Image



Note: P: Positive control; WT: Wildtype control; B: Blank control (ddH<sub>2</sub>O); M: DNA Ladder

#### 4. PCR Condition

PCR Reaction Component			
Seg.	reaction component	Volume (μl)	
1	2 × Taq Master Mix , Dye Plus, (Vazyme P112-03)	12.5	
2	ddH <sub>2</sub> O	9.5	
3	Primer A(10pmol/μl)	1	
4	Primer B(10pmol/μl)	1	
5	Template(≈100ng/μl)	1	
PCR program			
Seg.	Temp.	Time	Cycle
1	95°C	5min	
2	98°C	30s	20×
3	65°C (-0.5°C/cycle)	30s	
4	72°C	45s	
5	98°C	30s	20×
6	55°C	30s	
7	72°C	45s	
8	72°C	5min	
9	10°C	hold	

Reviewer:Ting Sun

Date:2021-6-10