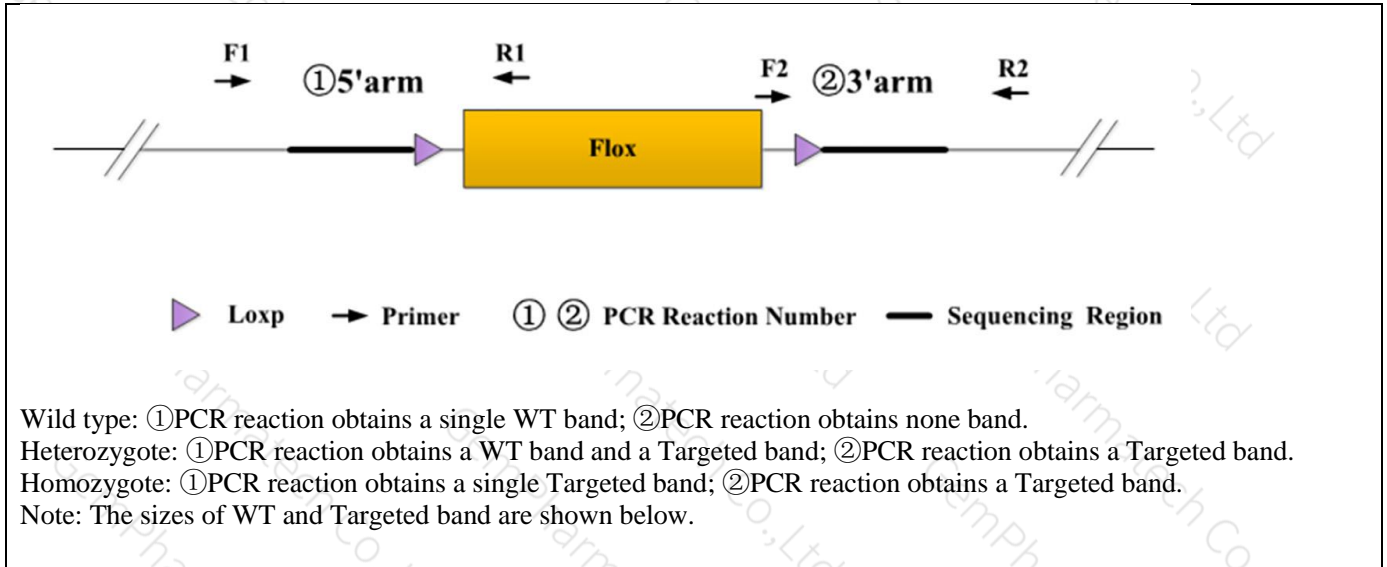


## Genotyping Report

Strain ID	T023757	Strain Type	CKO(Cas9)	Genetic Background	C57BL/6JGpt
Designer	Zifan Lin	Gene Name	Gypc		

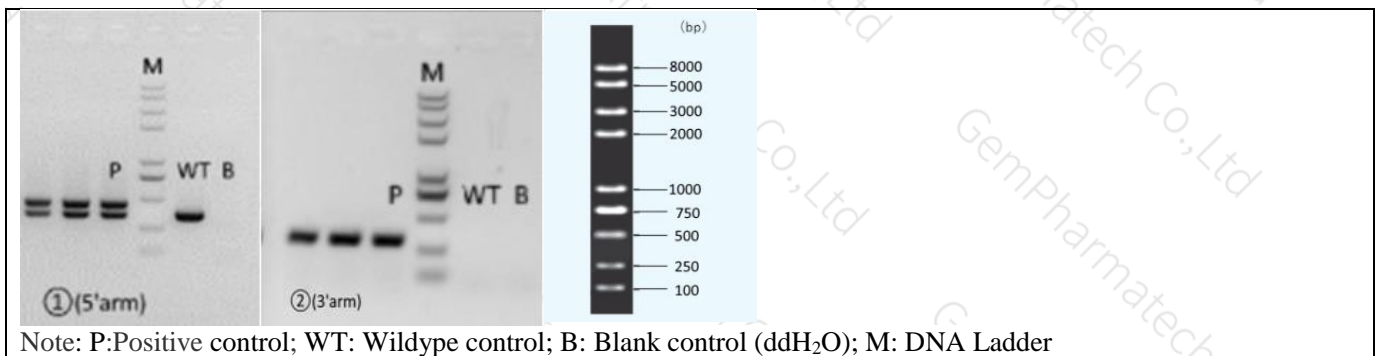
### 1. Strategy of Genotyping



### 2. Primer Information

PCR No.	Primer No.	Sequence	Band Size
①(5'arm)	T023757-F1	CCCAGAACTCCTTCATGGCTTC	WT:354bp Targeted:459bp
	T023757-R1	CCACACCTTGCAGATTCTGGTTG	
②(3'arm)	T023757-F2	ATCGCATTGTCTGAGTACGTG	WT:0bp Targeted:312bp
	T023757-R2	ATAATGGGTGTTCTCACACACGC	

### 3. Gel Image & Conclusion



#### 4. PCR Condition

PCR Reaction Component			
Seg.	reaction component		Volume (μl)
1	2 × Taq Master Mix , Dye Plus, (Vazyme P112-03)		12.5
2	ddH <sub>2</sub> O		9.5
3	Primer A(10pmol/μl)		1
4	Primer B(10pmol/μl)		1
5	Template(≈100ng/μl)		1
PCR program			
Seg.	Temp.	Time	Cycle
1	95°C	5min	20×
2	98°C	30s	
3	65°C (-0.5°C/cycle)	30s	
4	72°C	45s	20×
5	98°C	30s	
6	55°C	30s	
7	72°C	45s	
8	72°C	5min	
9	10°C	hold	

Reviewer:Ting Sun

Date:2021-8-5