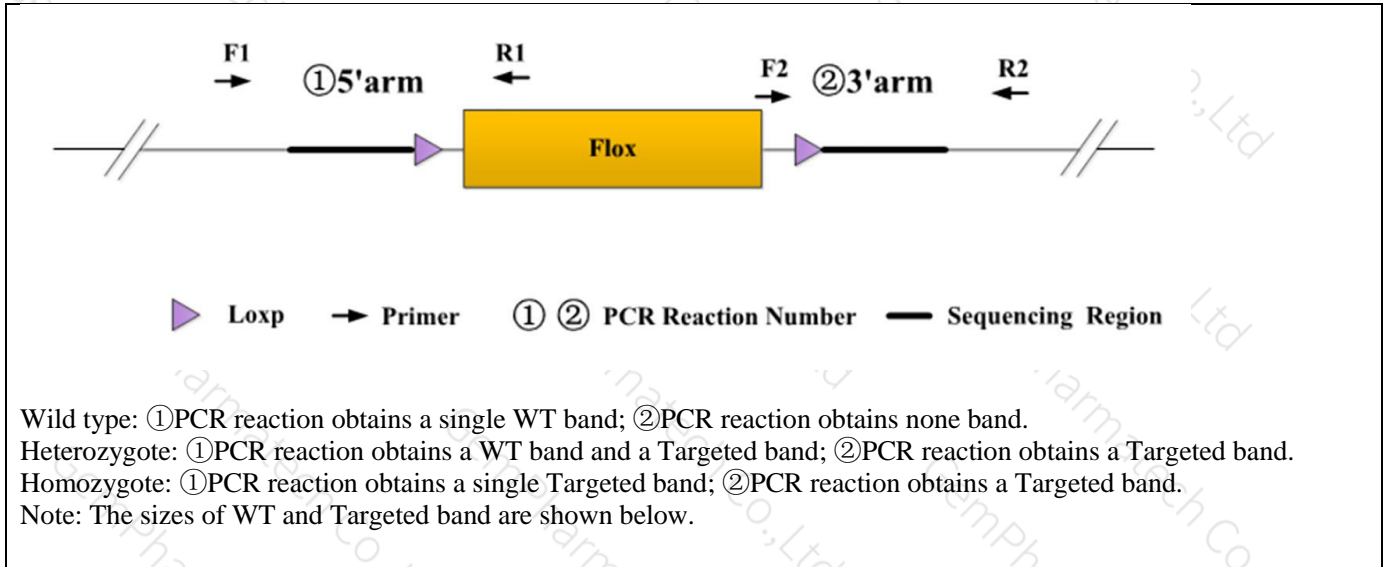


Genotyping Report

Strain ID	T021642	Strain Type	CKO(Cas9)	Genetic Background	C57BL/6JGpt
Designer	Zifan Lin	Gene Name	<i>Inpp1</i>		

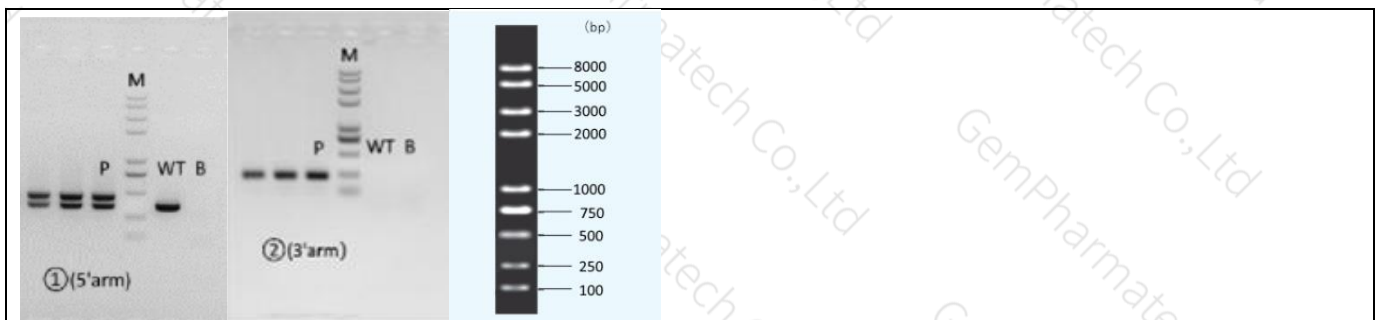
1. Strategy of Genotyping



2. Primer Information

PCR No.	Primer No.	Sequence	Band Size
①(5'arm)	T021642-F1	ATCTTGACCACCAGTGTGAGAAG	WT:345bp Targeted:450bp
	T021642-R1	CAGAGCTATTCAGAGGAATGCAGAC	
②(3'arm)	T021642-F2	GCATCGCATTGTCTGAGTAGGTG	WT:0bp Targeted:236bp
	T021642-R2	GGCATGACTAAGGCACCCATAAC	

3. Gel Image & Conclusion



Note: P:Positive control; WT: Wildtype control; B: Blank control (ddH₂O); M: DNA Ladder

4. PCR Condition

PCR Reaction Component			
Seg.	reaction component		Volume (μl)
1	2 × Taq Master Mix , Dye Plus, (Vazyme P112-03)		12.5
2	ddH2O		9.5
3	Primer A(10pmol/μl)		1
4	Primer B(10pmol/μl)		1
5	Template(≈100ng/μl)		1
PCR program			
Seg.	Temp.	Time	Cycle
1	95°C	5min	20×
2	98°C	30s	
3	65°C (-0.5°C/cycle)	30s	
4	72°C	45s	20×
5	98°C	30s	
6	55°C	30s	
7	72°C	45s	
8	72°C	5min	
9	10°C	hold	

Reviewer:Ting Sun

Date:2021-7-6