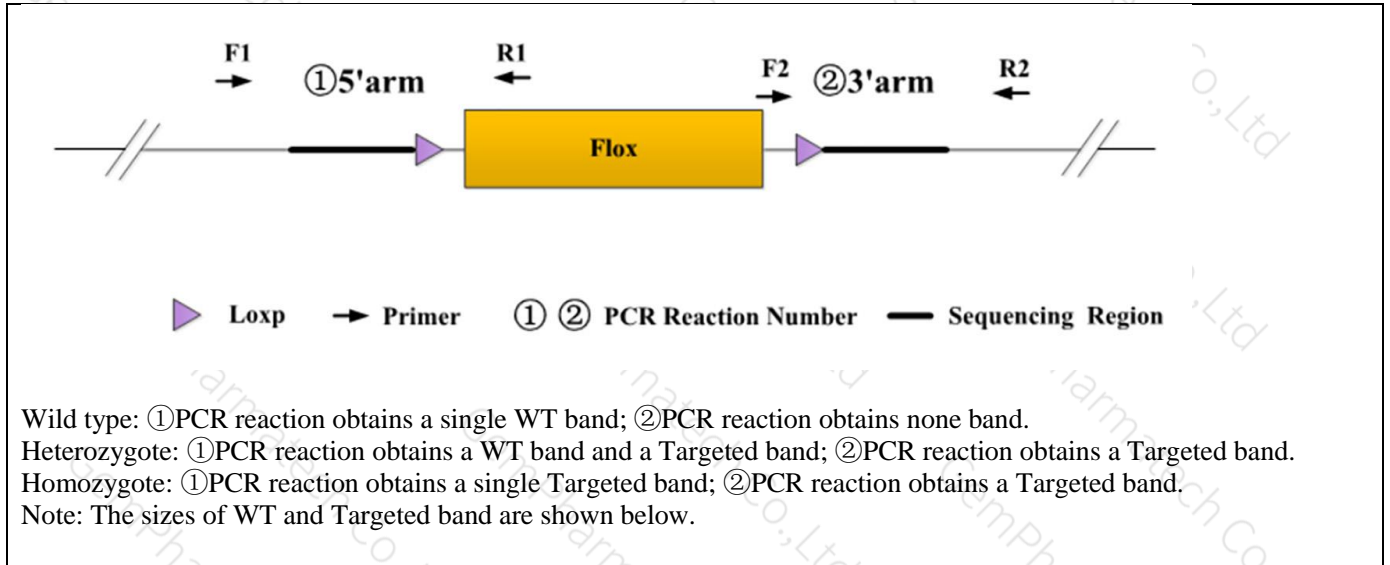


## Genotyping Report

Strain ID	T019233	Strain Type	CKO(Cas9)	Genetic Background	C57BL/6JGpt
Designer	Zifan Lin	Gene Name	Alk		

### 1. Strategy of Genotyping

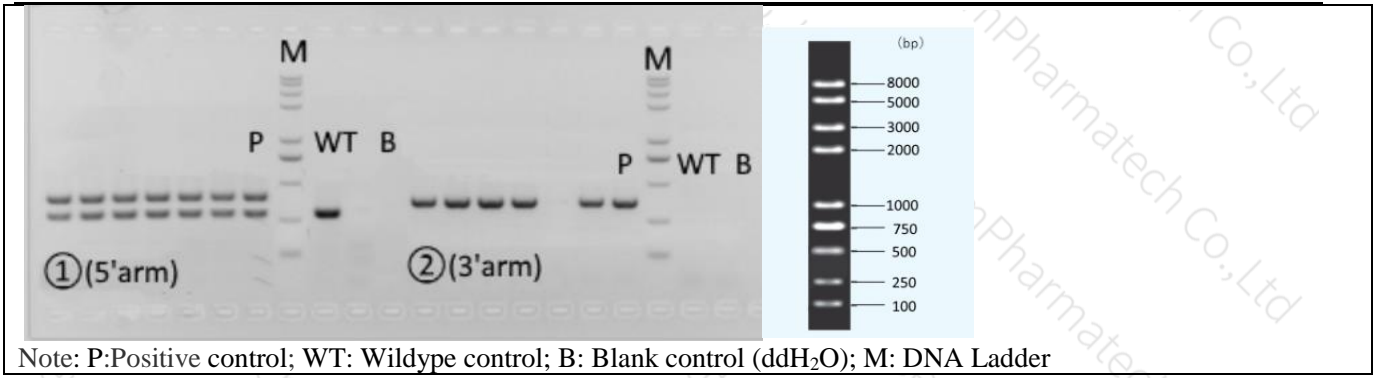


### 2. Primer Information

PCR No.	Primer No.	Primer Name	Sequence	Band Size
①(5'arm)	F1	JS09527-Alk-5wt-tF1	CCAAGTGGACTGAGACTGTGGAT	WT: 290bp Targeted:394 bp
	R1	JS09527-Alk-5wt-tR1	TTGGGTCCTTCTGAAGAGACAG	
②(3'arm)	F2	Neo-3F	TCTGAGGCGGAAAGAACCAG	WT:0 bp Targeted: 324bp
	R2	JS09527-Alk-3wt-tR1	TAGTTGGAAGTAAGAAGCTGGCC	

### 3. Gel Image & Conclusion

--



#### 4. PCR Condition

PCR Reaction Component			
Seg.	reaction component		Volume (μl)
1	2 × Taq Master Mix , Dye Plus, (Vazyme P112-03)		12.5
2	ddH <sub>2</sub> O		9.5
3	Primer A(10pmol/μl)		1
4	Primer B(10pmol/μl)		1
5	Template(≈100ng/μl)		1
PCR program			
Seg.	Temp.	Time	Cycle
1	95°C	5min	20×
2	98°C	30s	
3	65°C (-0.5°C/cycle)	30s	
4	72°C	45s	
5	98°C	30s	20×
6	55°C	30s	
7	72°C	45s	
8	72°C	5min	
9	10°C	hold	

Reviewer:Ting Sun

Date:2020-5-12