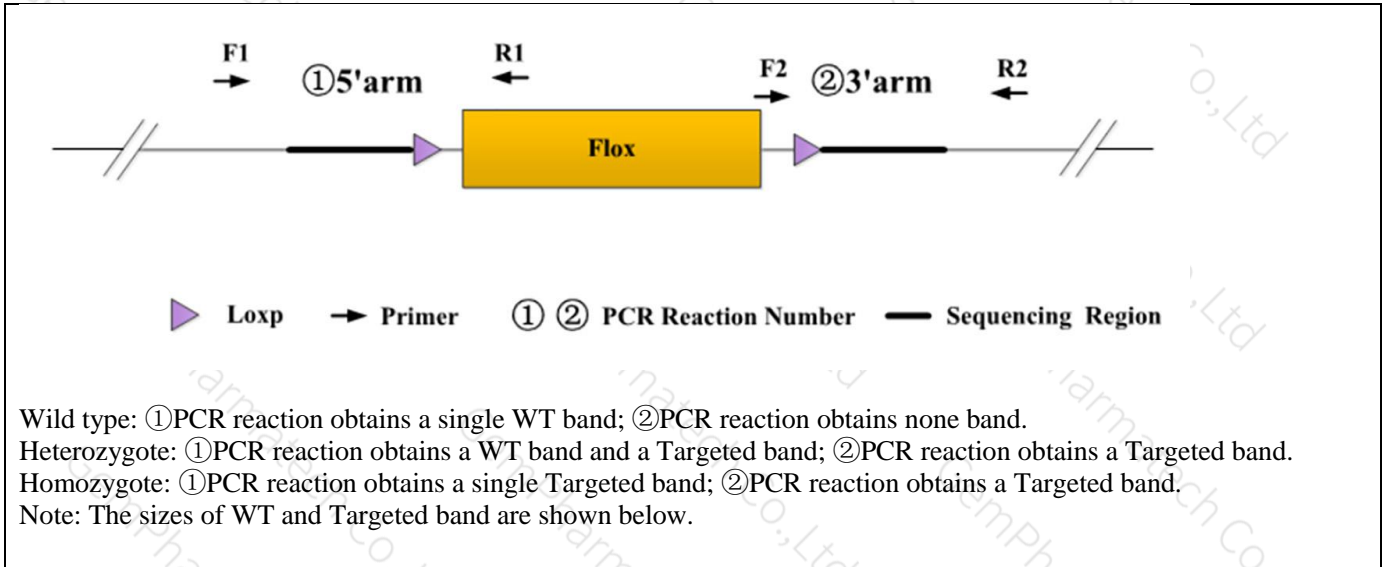


Genotyping Report

Strain ID	T019189	Strain Type	CKO(Cas9)	Genetic Background	C57BL/6JGpt
Designer	Zifan Lin	Gene Name	<i>Rims1</i>		

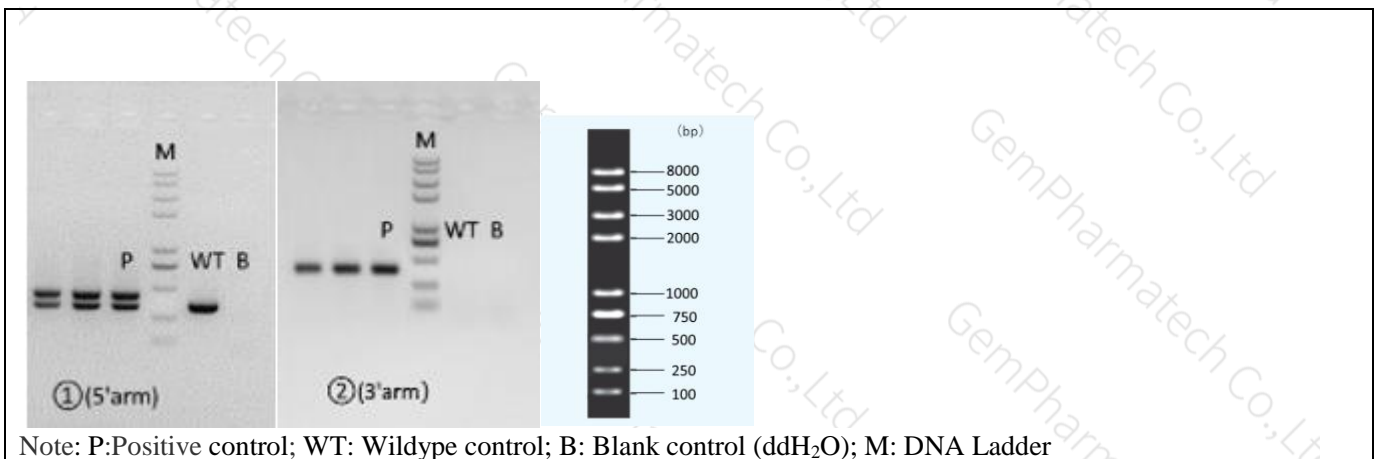
1. Strategy of Genotyping



2. Primer Information

PCR No.	Primer No.	Sequence	Band Size
①(5'arm)	T019189-F1	GCAGTTACCATATGTGGAGCGTAGC	WT:375bp Targeted:477bp
	T019189-R1	CCACAGCTGCTAAGGCAAGACC	
②(3'arm)	T019189-F2	CATCGCATTGTCTGAGTAGGTG	WT:0bp Targeted:369bp
	T019189-R2	GTGCTGGGATTAAGGCATGTG	

3. Gel Image & Conclusion



4. PCR Condition

PCR Reaction Component			
Seg.	reaction component		Volume (μl)
1	2 × Taq Master Mix , Dye Plus, (Vazyme P112-03)		12.5
2	ddH2O		9.5
3	Primer A(10pmol/μl)		1
4	Primer B(10pmol/μl)		1
5	Template(≈100ng/μl)		1
PCR program			
Seg.	Temp.	Time	Cycle
1	95℃	5min	
2	98℃	30s	20×
3	65℃ (-0.5℃/cycle)	30s	
4	72℃	45s	
5	98℃	30s	20×
6	55℃	30s	
7	72℃	45s	
8	72℃	5min	
9	10℃	hold	

Reviewer:Ting Sun

Date:2021-7-20