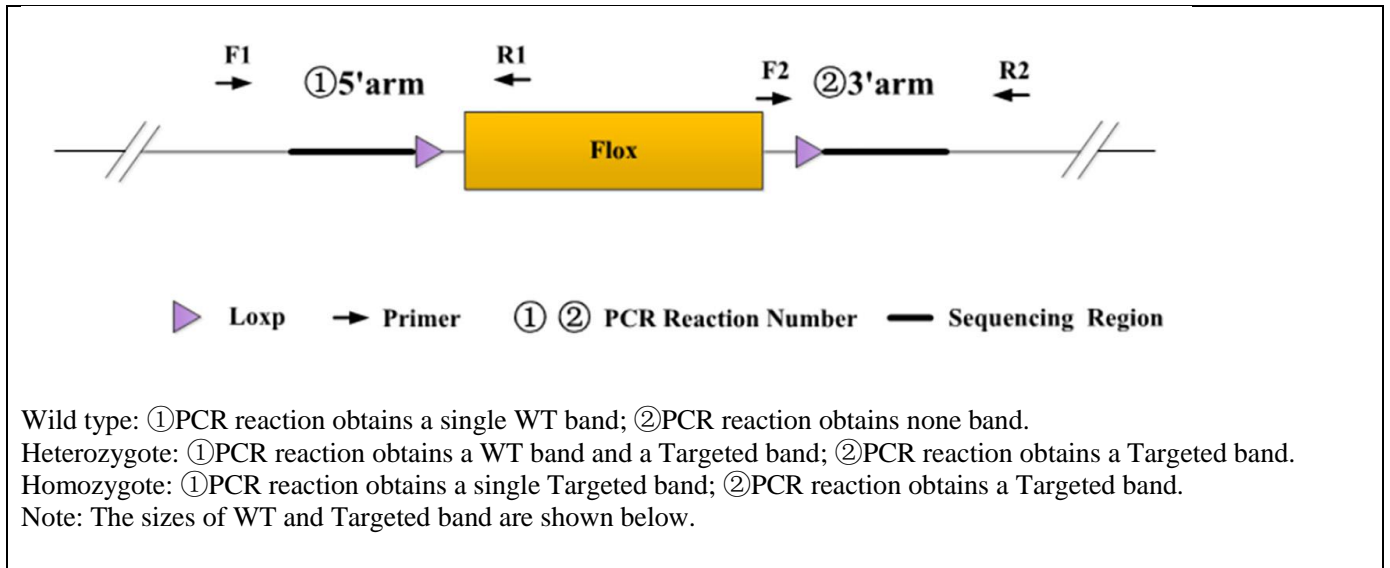


## Genotyping Report

Strain ID	T019004	Strain Type	CKO(Cas9)	Genetic Background	C57BL/6JGpt
Designer	Yin Chen	Gene Name	<i>Ikzf1</i>		

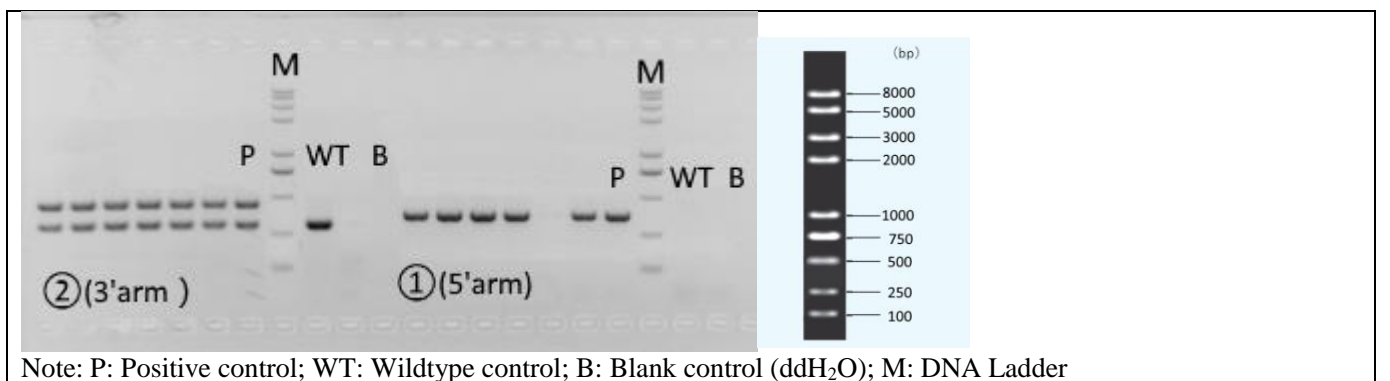
### 1. Strategy of Genotyping



### 2. Primer Information

PCR No.	Primer No.	Primer Name	Sequence	Band Size
①(5'arm)	F1	JS09298-Ikzf1-5wt-tF1	GCTGGGACTACAGCAGAGTCAAT AG	WT: 280 bp Targeted:385 bp
	R1	JS09298-Ikzf1-5wt-tR1	CGCATATGCACAACAAATTTGG	
②(3'arm)	F2	Neo-3F	TCTGAGGCGGAAAGAACCAG	Targeted: 307bp
	R2	JS09298-Ikzf1-3wt-tR1	CACTCTACCGGCTGAGCCATATC	

### 3. Gel Image & Conclusion



#### 4. PCR Condition

PCR Reaction Component			
Seg.	reaction component		Volume (μl)
1	2 × Taq Master Mix , Dye Plus, (Vazyme P112-03)		12.5
2	ddH <sub>2</sub> O		9.5
3	Primer A(10pmol/μl)		1
4	Primer B(10pmol/μl)		1
5	Template(≈100ng/μl)		1
PCR program			
Seg.	Temp.	Time	Cycle
1	95℃	5min	
2	98℃	30s	20×
3	65℃ (-0.5℃/cycle)	30s	
4	72℃	45s	
5	98℃	30s	20×
6	55℃	30s	
7	72℃	45s	
8	72℃	5min	
9	10℃	hold	

Reviewer:Ting Sun

Date:2020-7-20