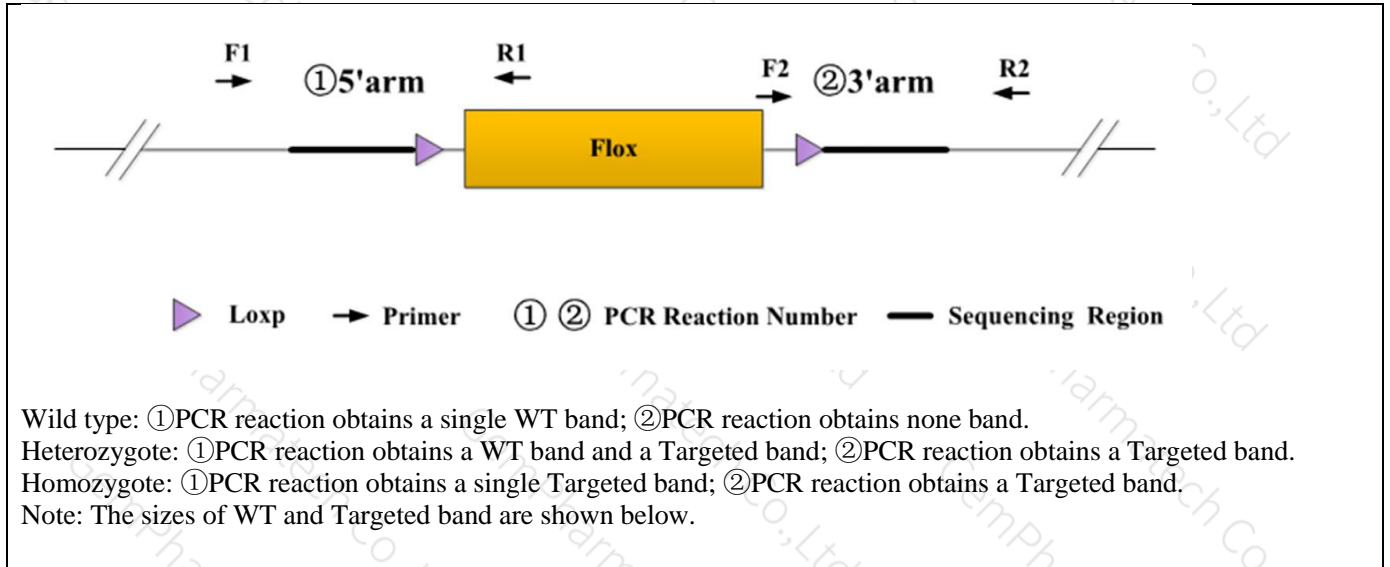


Genotyping Report

Strain ID	T018539	Strain Type	CKO(Cas9)	Genetic Background	C57BL/6JGpt
Designer	Zifan Lin	Gene Name	Pxn		

1. Strategy of Genotyping

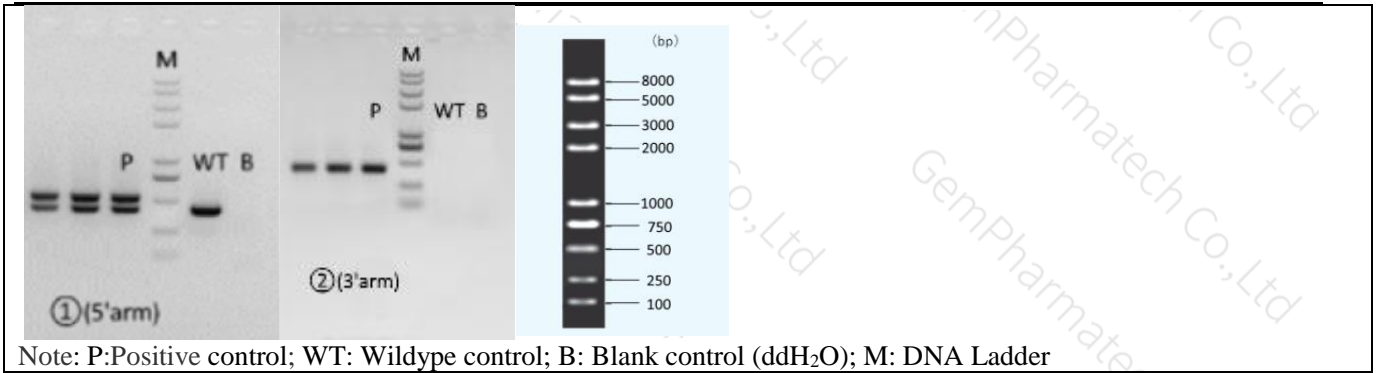


2. Primer Information

PCR No.	Primer No.	Primer Name	Sequence	Band Size
①(5'arm)	F1	JS08833-Pxn-5wt-tF1	CATGCTACCCTTAGATTGCACCTC	WT:423bp Targeted:527bp
	R1	JS08833-Pxn-5wt-tR1	TGTTGGGTCCAGGCTTGACA	
②(3'arm)	F2	Neo-3F	TCTGAGGCGGAAAGAACCAG	WT:0bp Targeted:402bp
	R2	JS08833-Pxn-3wt-tR1	TGTCAAACAGAGGGAGTCCCAC	

3. Gel Image & Conclusion

--



4. PCR Condition

PCR Reaction Component			
Seg.	reaction component	Volume (μl)	
1	2 × Taq Master Mix , Dye Plus, (Vazyme P112-03)	12.5	
2	ddH ₂ O	9.5	
3	Primer A(10pmol/μl)	1	
4	Primer B(10pmol/μl)	1	
5	Template(≈100ng/μl)	1	
PCR program			
Seg.	Temp.	Time	Cycle
1	95℃	5min	20×
2	98℃	30s	
3	65℃ (-0.5℃/cycle)	30s	
4	72℃	45s	
5	98℃	30s	20×
6	55℃	30s	
7	72℃	45s	
8	72℃	5min	
9	10℃	hold	

Reviewer:Ting Sun

Date:2020-5-12