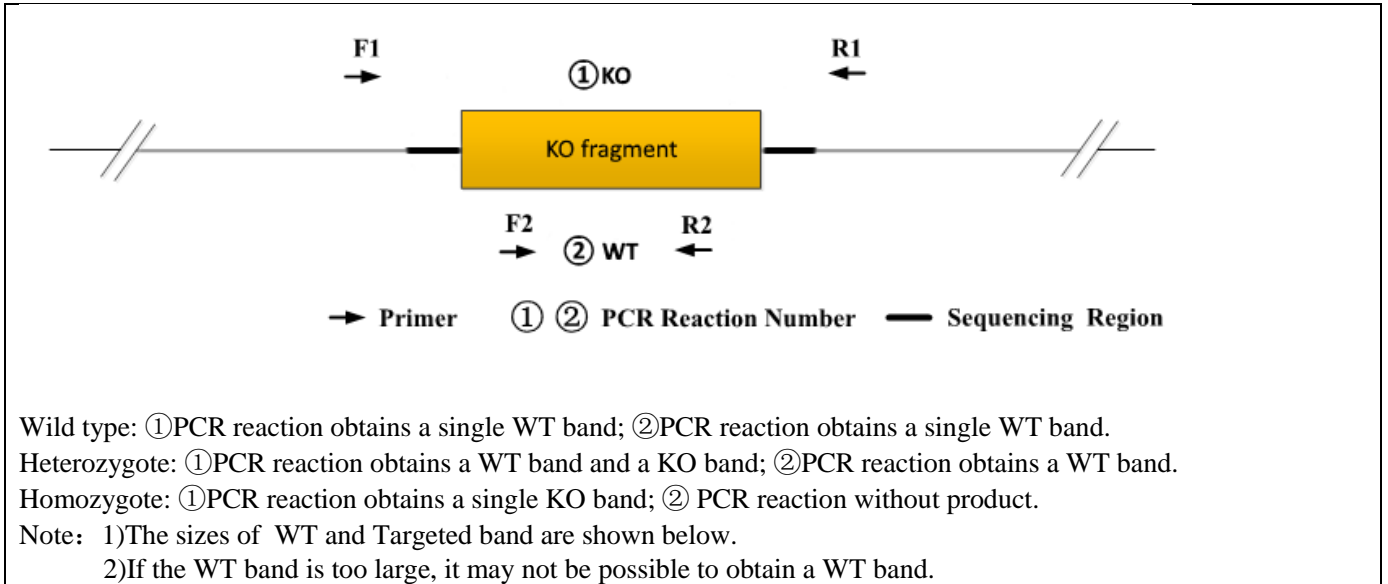


## Genotyping Report

Strain ID	T017692	Strain Type	KO(Cas9)	Genetic Background	C57BL/6JGpt
Designer	Zifan Lin	Gene Name	<i>Hexb</i>		

### 1. Strategy of Genotyping

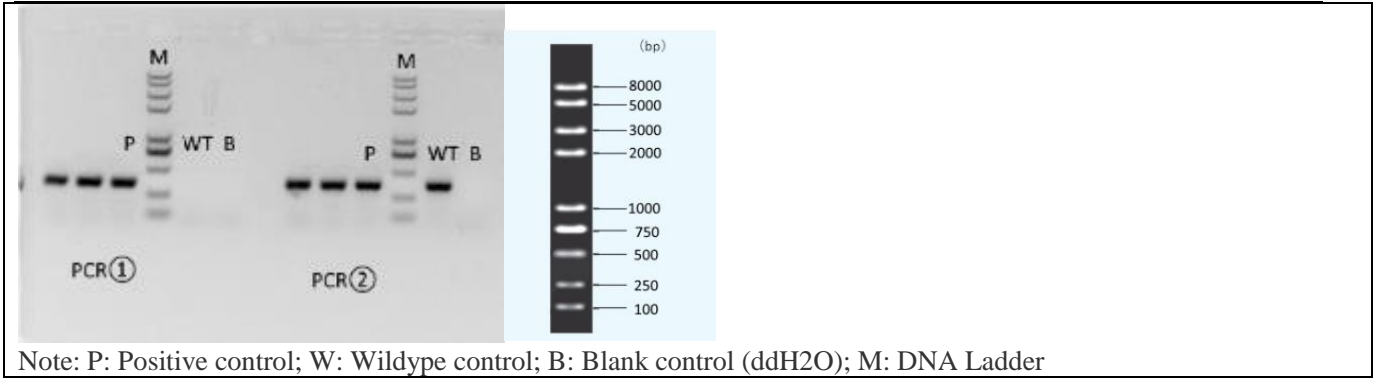


### 2. Primer Information

PCR No.	Primer No.	Primer Name	Sequence	Band Size
PCR①	F1	JS06030-Hexb-5wt-tF1	CTAGTAATCGCACCTGGCGTT	WT:3446bp KO: - 3129bp=317bp
	R1	JS06030-Hexb-3wt-tR1	TTCTACTACCTCCAGACTGCCAG	
PCR②	F2	JS16030-Hexb-wt-tF1	GCATGGTTAGATTGAACTGGCAG	WT:320bp KO:0bp
	R2	JS16030-Hexb-wt-tR1	GCCCTGCCTTCTGTACTTACTACTG	

### 3. Gel Image

gctgggattaagcgtgcgccaccaactg----**3129bp**----gtcggatcatcagactgaaaggctgttctgg



#### 4. PCR Condition

PCR Reaction Component			
Seg.	reaction component		Volume (μl)
1	2 × Taq Master Mix , Dye Plus, (Vazyme P112-03)		12.5
2	ddH <sub>2</sub> O		9.5
3	Primer A(10pmol/μl)		1
4	Primer B(10pmol/μl)		1
5	Template(≈100ng/μl)		1
PCR program			
Seg.	Temp.	Time	Cycle
1	95 °C	5min	
2	98 °C	30s	20×
3	65 °C (-0.5 °C/cycle)	30s	
4	72 °C	45s	
5	98 °C	30s	
6	55 °C	30s	20×
7	72 °C	45s	
8	72 °C	5min	
9	10 °C	hold	

Reviewer:Ting Sun

Date:2020-7-1