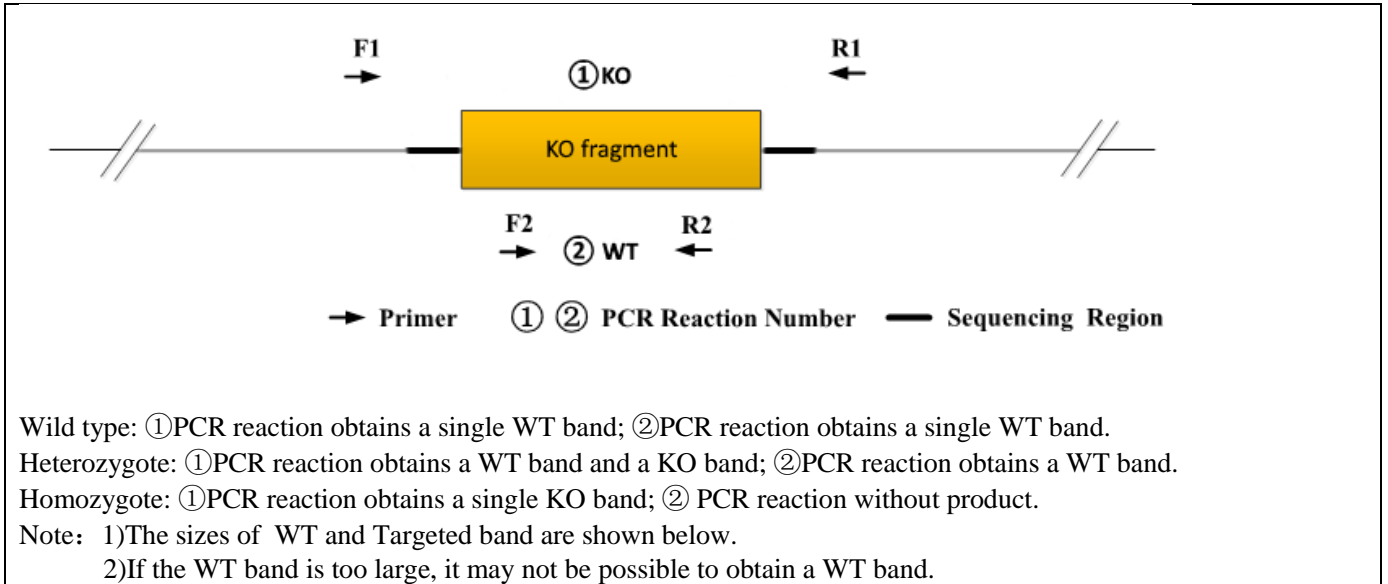


Genotyping Report

Strain ID	T012602	Strain Type	KO(Cas9)	Genetic Background	C57BL/6JGpt
Designer	Zifan Lin	Gene Name	<i>Csflr</i>		

1. Strategy of Genotyping

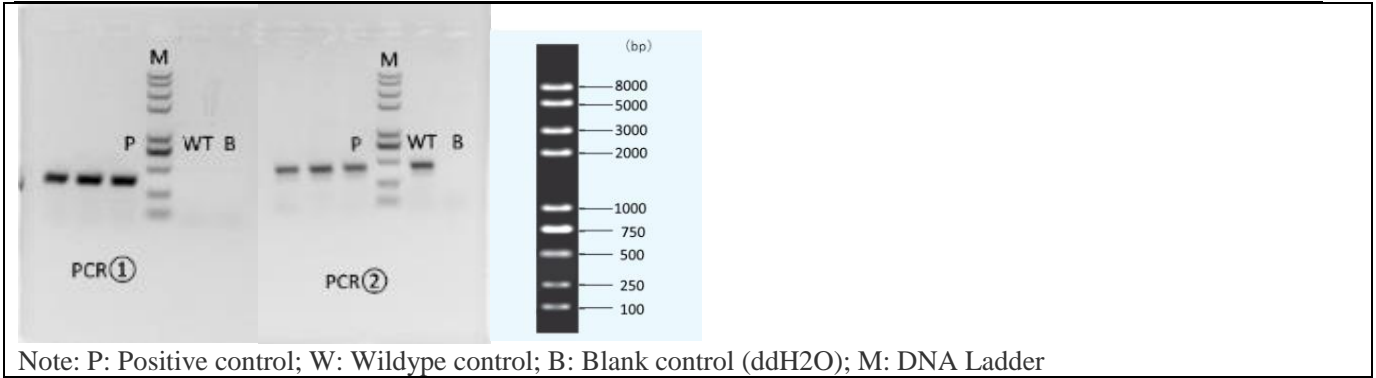


2. Primer Information

PCR No.	Primer No.	Primer Name	Sequence	Band Size
PCR①	F1	JS03336-Csflr-5wt-tF1	AGCCTCCTTCCCTAAGACCTGACA	WT:3801bp KO: 316bp
	R1	JS03336-Csflr-3wt-tR1	CGAGGGACTGAACTCTGAGTCTCA	
PCR②	F2	JS13336-Csflr-wt-tF1	ACTCAGTTGAGCAGTTACCCTCGG	WT:413bp KO:0bp
	R2	JS13336-Csflr-wt-tR1	CCCAACCTGTGTAAACATTCACCC	

3. Gel Image

atgagcatggcattctgagccccaatga--- 3485bp ---aatcgtgtgcaggccagtcagagccct
--



4. PCR Condition

PCR Reaction Component			
Seg.	reaction component		Volume (μl)
1	2 × Taq Master Mix , Dye Plus, (Vazyme P112-03)		12.5
2	ddH ₂ O		9.5
3	Primer A(10pmol/μl)		1
4	Primer B(10pmol/μl)		1
5	Template(≈100ng/μl)		1
PCR program			
Seg.	Temp.	Time	Cycle
1	95℃	5min	
2	98℃	30s	20×
3	65℃ (-0.5℃/cycle)	30s	
4	72℃	45s	
5	98℃	30s	20×
6	55℃	30s	
7	72℃	45s	
8	72℃	5min	
9	10℃	hold	

Reviewer:Ting Sun

Date:2020-7-1