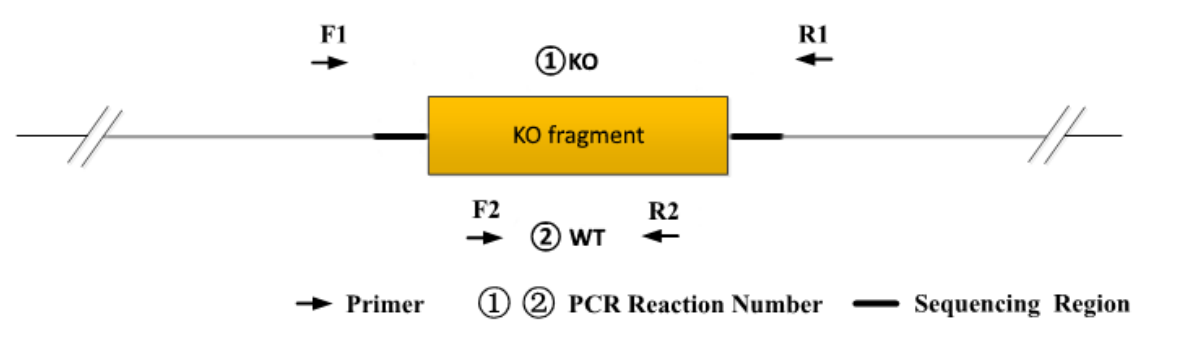


## Genotyping Report

Strain ID	T012227	Strain Type	KO(Cas9)	Genetic Background	C57BL/6JGpt
Designer	Zifan Lin	Gene Name	<i>Kat2b</i>		

### 1. Strategy of Genotyping



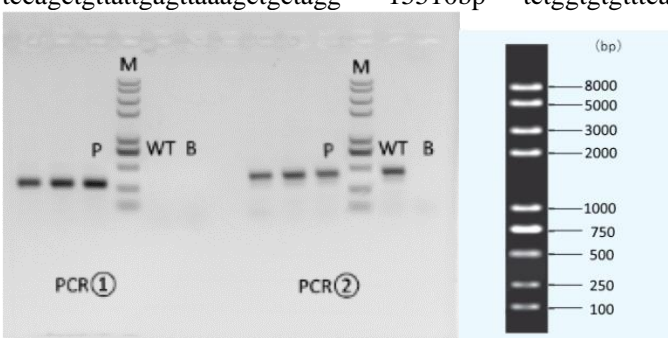
Wild type: ①PCR reaction obtains a single WT band; ②PCR reaction obtains a single WT band.  
 Heterozygote: ①PCR reaction obtains a WT band and a KO band; ②PCR reaction obtains a WT band.  
 Homozygote: ①PCR reaction obtains a single KO band; ② PCR reaction without product.  
 Note: 1)The sizes of WT and Targeted band are shown below.  
 2)If the WT band is too large, it may not be possible to obtain a WT band.

### 2. Primer Information

PCR No.	Primer No.	Primer Name	Sequence	Band Size
PCR①	F1	JS02066-Kat2b-5wt-tF1	GATTTGCTGTTTGGGAGATGACG	WT:15790bp KO:280bp
	R1	JS02066-Kat2b-3wt-tR1	TCCTAGTGGAGAGCTTTCCAGTGC	
PCR②	F2	JS12066-Kat2b-wt-tF1	AAACCCAGGATGGTAGCTGGTG	WT:398bp Targeted:0bp
	R2	JS12066-Kat2b-wt-tR1	GGCTCAGTGTTAGCCTTACCTTGC	

### 3. Gel Image

tccagctgtattgagttaaagctgctagg-----15510bp----tctggtgttttcagtgcattattgcact



Note: P: Positive control; W: Wildtype control; B: Blank control (ddH<sub>2</sub>O); M: DNA Ladder

#### 4. PCR Condition

PCR Reaction Component			
Seg.	reaction component		Volume (μl)
1	2 × Taq Master Mix , Dye Plus, (Vazyme P112-03)		12.5
2	ddH <sub>2</sub> O		9.5
3	Primer A(10pmol/μl)		1
4	Primer B(10pmol/μl)		1
5	Template(≈100ng/μl)		1
PCR program			
Seg.	Temp.	Time	Cycle
1	95℃	5min	
2	98℃	30s	20×
3	65℃ (-0.5℃/cycle)	30s	
4	72℃	45s	
5	98℃	30s	
6	55℃	30s	20×
7	72℃	45s	
8	72℃	5min	
9	10℃	hold	

Reviewer:Ting Sun

Date:2020-7-1