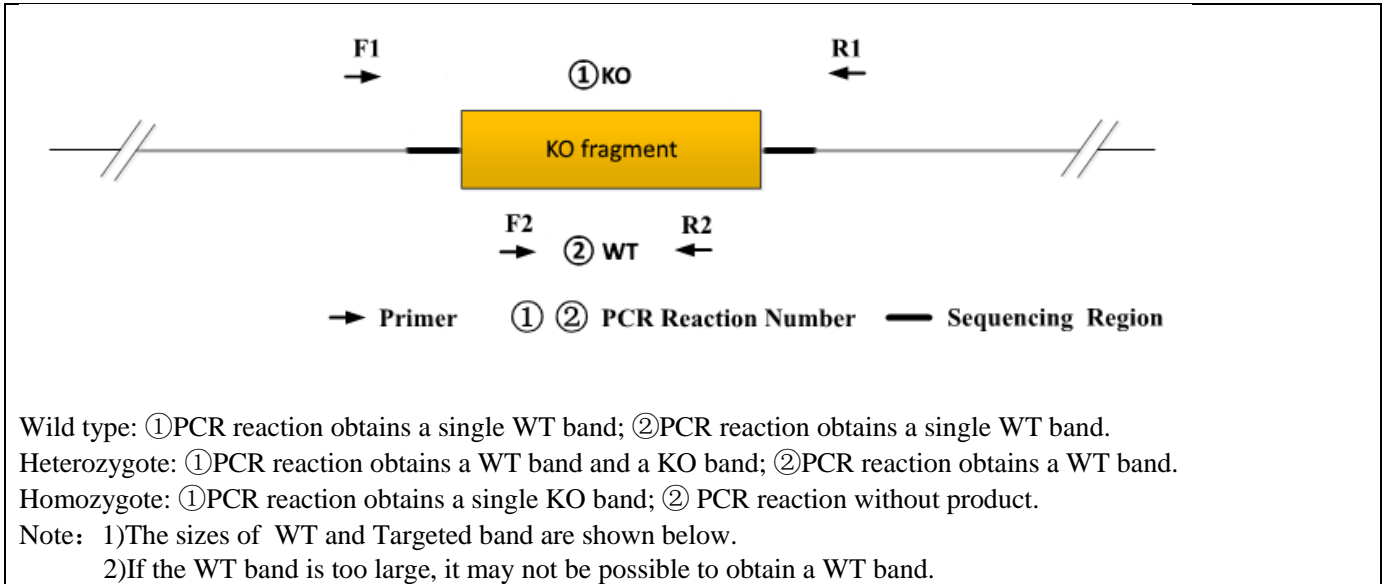


Genotyping Report

Strain ID	T012211	Strain Type	KO(Cas9)	Genetic Background	C57BL/6JGpt
Designer	Zifan Lin	Gene Name	<i>Otud7a</i>		

1. Strategy of Genotyping

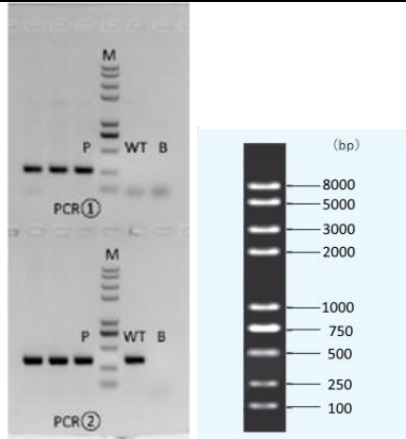


2. Primer Information

PCR No.	Primer No.	Primer Name	Sequence	Band Size
PCR①	F1	JS02043-Otud7a-5wt-tF1	GGTTGGTTGGTTGGTTCATCTGTC	WT:3915bp Targeted:258bp
	R1	JS02043-Otud7a-3wt-tR1	CTACAACAAAGCAACAAGCAGCCC	
PCR②	F2	JS12043-Otud7a-wt-tF1	GTTAGGAGAGCCGCCATTCTTCA	WT:305bp Targeted:0bp
	R2	JS12043-Otud7a-wt-tR1	AATTCCAGCATCTGATTTTCAGAGCT G	

3. Gel Image

actgactacaagcgcacatgccaacctgccaacta-----3658bp-----Attgaggttttagctggaggataaattctaccagag



Note: P: Positive control; W: Wildtype control; B: Blank control (ddH₂O); M: DNA Ladder

4. PCR Condition

PCR Reaction Component			
Seg.	reaction component	Volume (μl)	
1	2 × Taq Master Mix , Dye Plus, (Vazyme P112-03)	12.5	
2	ddH ₂ O	9.5	
3	Primer A(10pmol/μl)	1	
4	Primer B(10pmol/μl)	1	
5	Template(≈100ng/μl)	1	
PCR program			
Seg.	Temp.	Time	Cycle
1	95 °C	5min	
2	98 °C	30s	20×
3	65 °C (-0.5 °C/cycle)	30s	
4	72 °C	45s	
5	98 °C	30s	20×
6	55 °C	30s	
7	72 °C	45s	
8	72 °C	5min	
9	10 °C	hold	

Reviewer:Ting Sun

Date:2020-7-1