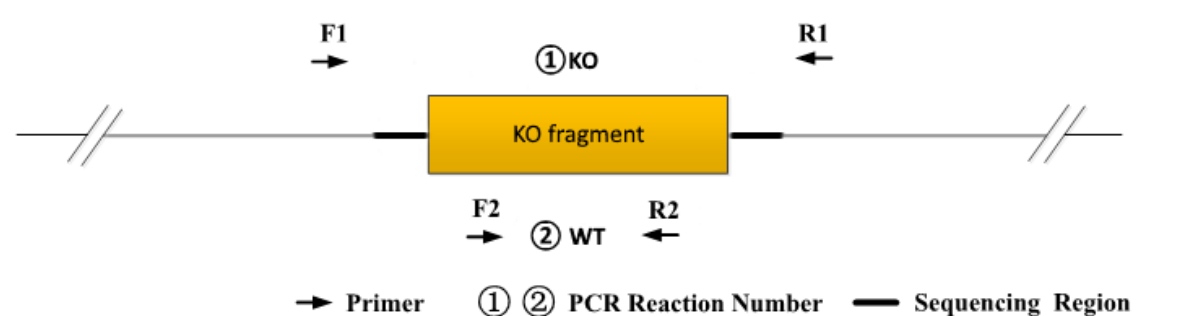


Genotyping Report

Strain ID	T006017	Strain Type	KO(Cas9)	Genetic Background	C57BL/6JGpt
Designer	Zifan Lin	Gene Name	<i>Casp9</i>		

1. Strategy of Genotyping

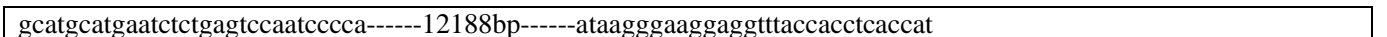


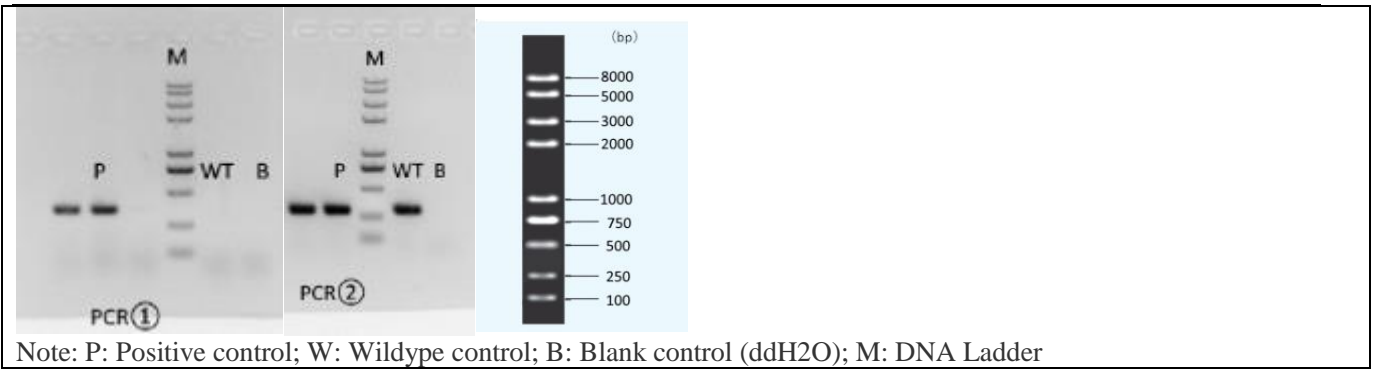
Wild type: ①PCR reaction obtains a single WT band; ②PCR reaction obtains a single WT band.
 Heterozygote: ①PCR reaction obtains a WT band and a KO band; ②PCR reaction obtains a WT band.
 Homozygote: ①PCR reaction obtains a single KO band; ② PCR reaction without product.
 Note: 1)The sizes of WT and Targeted band are shown below.
 2)If the WT band is too large, it may not be possible to obtain a WT band.

2. Primer Information

PCR No.	Primer No.	Primer Name	Sequence	Band Size
PCR①	F1	JS00481-Casp9-5wt-tF2	CATGCACACACAGTTGCCACATACAG	WT:12510bp KO: - 12188bp=322bp
	R1	JS00481-Casp9-3wt-tR2	CAGCTAACACTTGAAGCTGTCCACCAC	
PCR②	F2	JS10481-Casp9-WT-TF2	TGCATGTTTGGTGCCCACAGA	WT:301bp KO:0bp
	R2	JS10481-Casp9-WT-TR2	GGCAAGCCTAAAGAGGAACCAGCTA	

3. Gel Image


--



4. PCR Condition

PCR Reaction Component			
Seg.	reaction component		Volume (μl)
1	2 × Taq Master Mix , Dye Plus, (Vazyme P112-03)		12.5
2	ddH ₂ O		9.5
3	Primer A(10pmol/μl)		1
4	Primer B(10pmol/μl)		1
5	Template(≈100ng/μl)		1
PCR program			
Seg.	Temp.	Time	Cycle
1	95℃	5min	
2	98℃	30s	20×
3	65℃ (-0.5℃/cycle)	30s	
4	72℃	45s	
5	98℃	30s	
6	55℃	30s	20×
7	72℃	45s	
8	72℃	5min	
9	10℃	hold	

Reviewer:Ting Sun

Date:2020-7-1