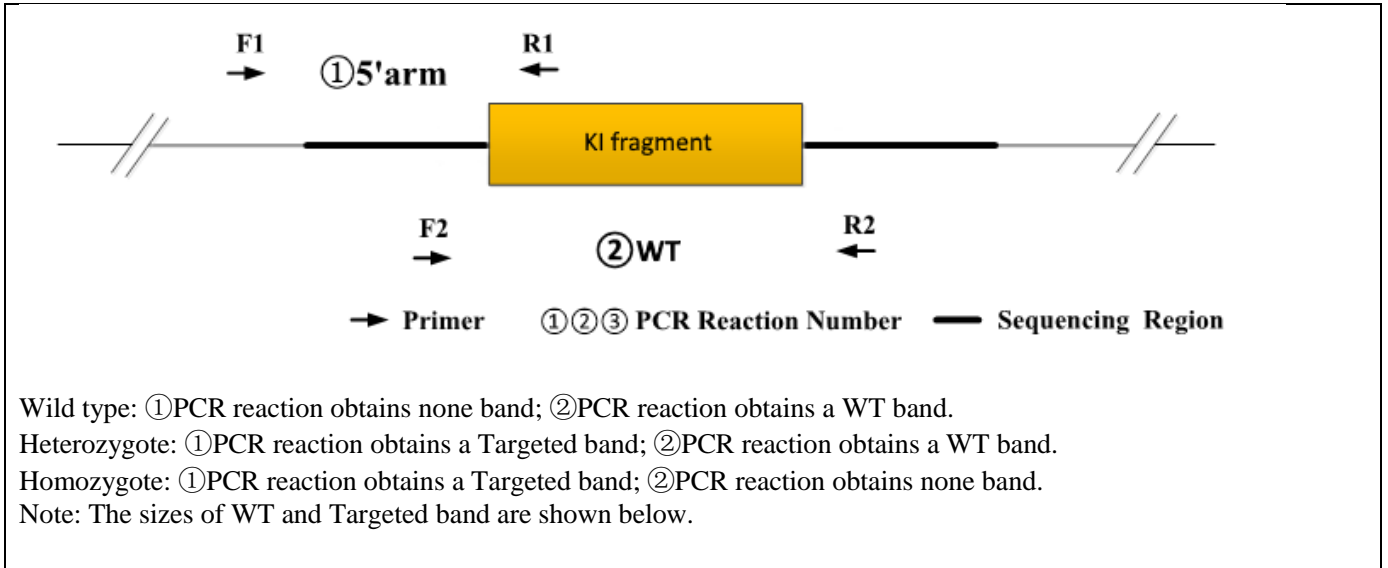


Genotyping Report

Strain ID	T036905	Strain Type	KI(Cas9)	Genetic Background	C57BL/6JGpt
Designer	Dongdong Zhang	Gene Name	<i>Angptl7</i>		

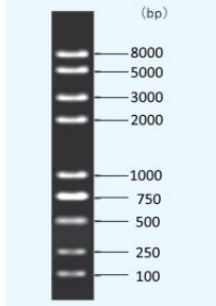
1. Strategy of Genotyping



2. Primer Information

PCR No.	Primer No.	Primer Name	Sequence	Band Size
①5' arm	F1	GPS00003399-Angptl7-wt-tF1	TACTGGTACAACCTGCTGCACAGAC	WT:0bp Targeted:309bp
	R1	CreERT2-tR1	CATGTCCATCAGGTTCTTGCGAAC	
②WT	F2	GPS00003399-Angptl7-wt-tF1	TACTGGTACAACCTGCTGCACAGAC	WT:390bp Targeted:2427bp
	R2	GPS00003399-Angptl7-wt-tR1	GGTTACCGTTGTCCATGAGTTC	

3. Gel Image & Conclusion



Note: P:Positive control; WT: Wildtype control; N: Blank control (ddH₂O); M: DNA Ladder

4. PCR Condition

PCR Reaction Component			
Seg.	reaction component		Volume (μl)
1	2 × Taq Master Mix , Dye Plus, (Vazyme P112-03)		12.5
2	ddH ₂ O		9.5
3	Primer A(10pmol/μl)		1
4	Primer B(10pmol/μl)		1
5	Template(≈100ng/μl)		1
PCR program			
Seg.	Temp.	Time	Cycle
1	95℃	5min	20×
2	98℃	30s	
3	65℃ (-0.5℃/cycle)	30s	
4	72℃	45s	
5	98℃	30s	20×
6	55℃	30s	
7	72℃	45s	
8	72℃	5min	
9	10℃	hold	